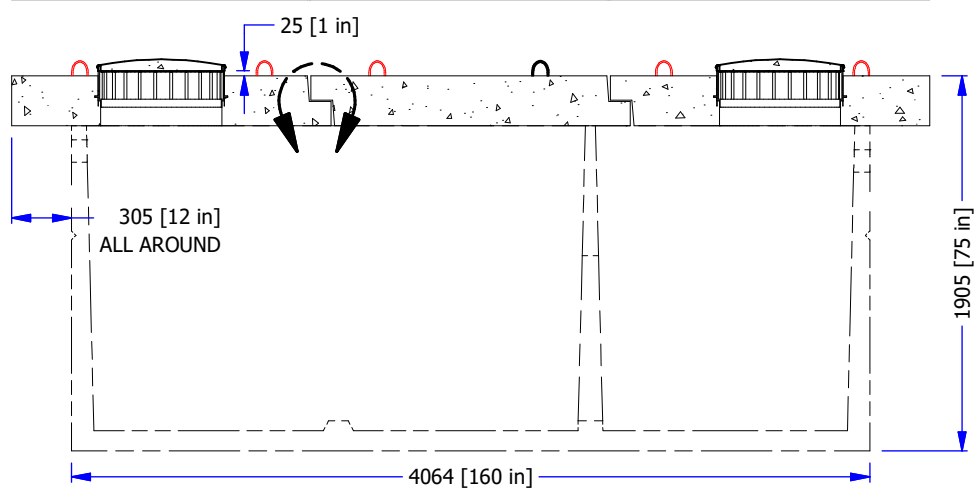
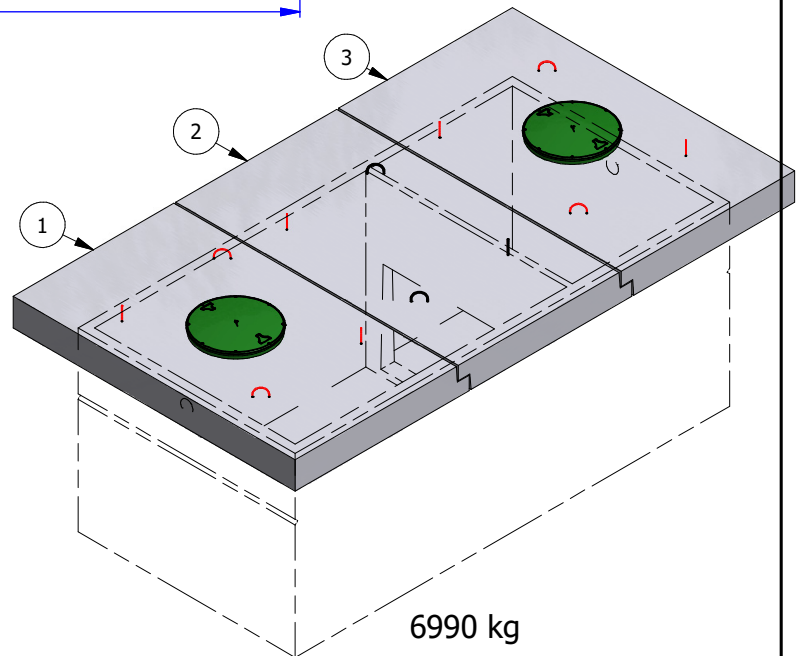


DETAIL VIEW



#	DESCRIPTION	ITEM #	KG
1	2000 IGAL ANTI-FLOAT LID #3		2304
2	2000 IGAL ANTI-FLOAT LID #2 PC		2381
3	2000 IGAL ANTI-FLOAT LID #3		2303
7	POLYLOK RISER COVER Ø24"	20545	1



- MANUFACTURED IN ACCORDANCE WITH CSA B66
- MINIMUM CONCRETE STRENGTH AT 28 DAYS: 32 MPA
- MAX WATER CEMENT RATIO OF 0.45 & AIR CONTENT OF 5-8%
- GRADE 400 REBAR REINFORCEMENT
- HARD STEEL FINISH

WWW.FRASERWAYPREKAST.COM (604) 534-2911



2000 IGAL [9100 I] ANTI-FLOAT LID FOR PUMP CHAMBERS

SIZE A	DRAWING #	REV	SHEET
			1/1
2000G PC AF			