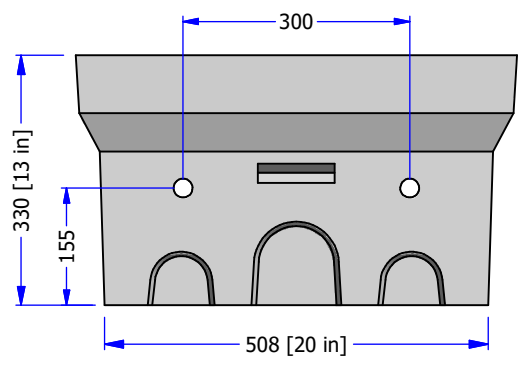
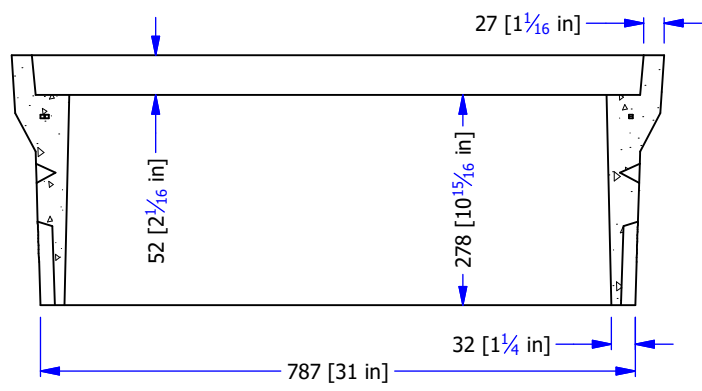
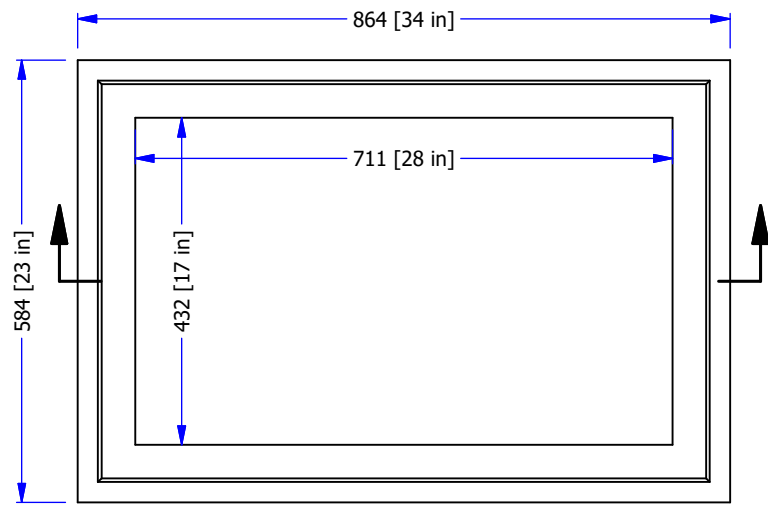


76 kg



- PRODUCT MANUFACTURED IN ACCORDANCE WITH CSA A23.4
- DESIGNED FOR BOULEVARD (OFF ROAD) USE
- H20 STATIC LOADING
- MINIMUM CONCRETE STRENGTH AT 28 DAYS: 35 MPA

WWW.FRASERWAYPREKAST.COM (604) 534-2911



## #266 SERVICE BOX 325 [13"] RISER w/ PIPE HANGER HOLES

SIZE	DRAWING #	14463	REV	SHEET
A				1/1
		266SB R325 4H		