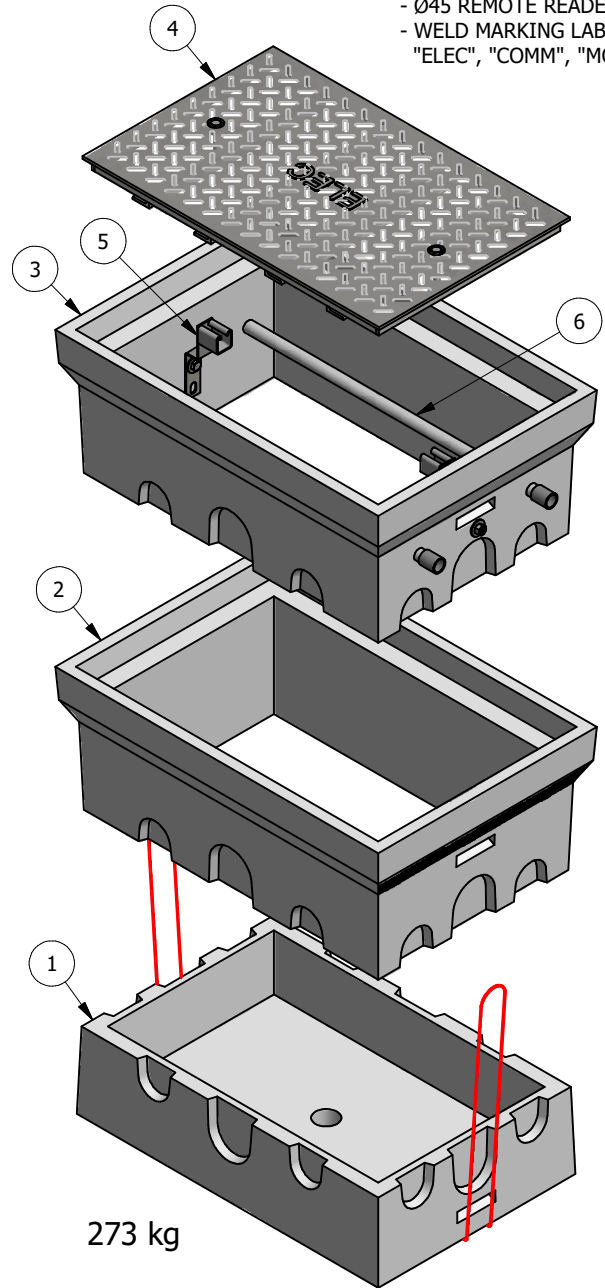
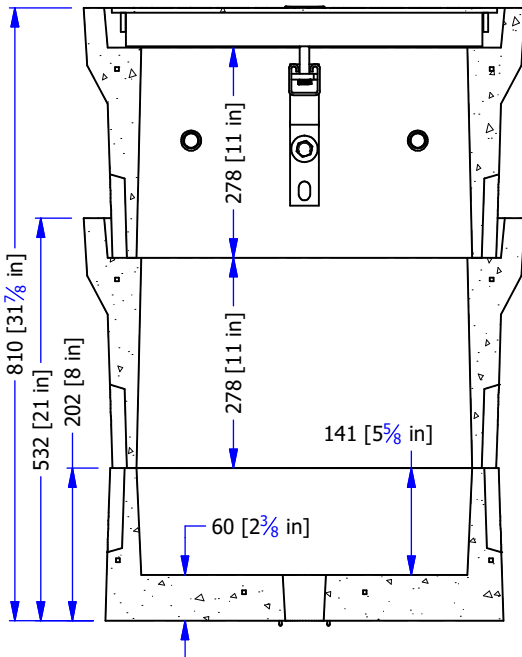
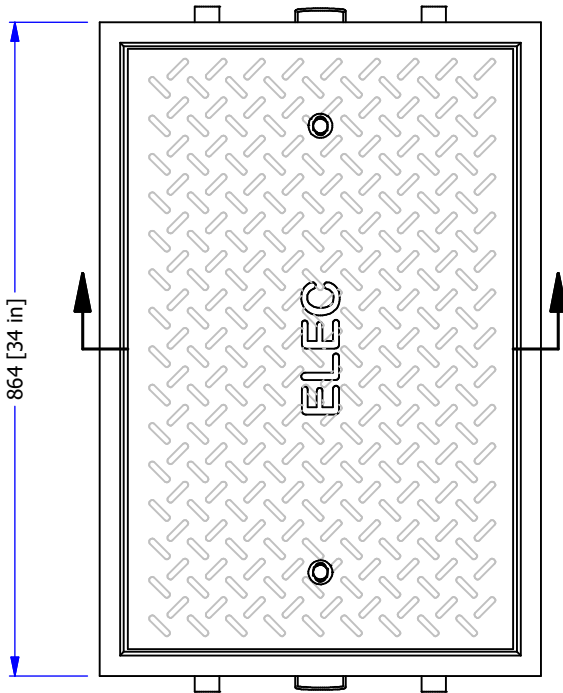


#	DESCRIPTION	CODE #	KG	#	DESCRIPTION	ITEM #	KG
1	266 SERVICE BOX BASE	14469	89	5	BOLTDOWN DEVICE HARDWARE KIT	14595	0
2	266 SERVICE BOX 325 [13"] RISER	14454	76	6	PIPE HANGER KIT	14502	0
3	266 SERVICE BOX 325 [13"] RISER w/ BRACKET & PIPE HANGER HOLES	14460	76				
4	266 GALVANIZED CHECKERPLATE LID "ELEC"	14496	31				

- LID OPTIONS:
- CAST IRON
- STEEL CHECKERPLATE GALV. OR PAINTED BLACK
- BOLTDOWN HOLES
- RECESSED PADLOCK
- Ø45 REMOTE READER HOLE
- WELD MARKING LABELS "ELEC", "COMM", "MOTH"



- PRODUCT MANUFACTURED IN ACCORDANCE WITH CSA A23.4
- DESIGNED FOR BOULEVARD (OFF ROAD) USE
- H20 STATIC LOADING
- STEEL PRODUCTS MANUFACTURED UNDER CSA W47.1 IN ACCORDANCE WITH CSA W59
- MINIMUM CONCRETE STRENGTH AT 28 DAYS: 35 MPA

WWW.FRASERWAYPREKAST.COM

(604) 534-2911



#266 SERVICE BOX 2x 325mm RISERS w/ BASE & PIPE HANGERS GALV STEEL BOLT DOWN LID 'ELEC'

SIZE
A

DRAWING #

266SB 2R B L PH BD 'ELEC'

14517

REV

SHEET

1/1