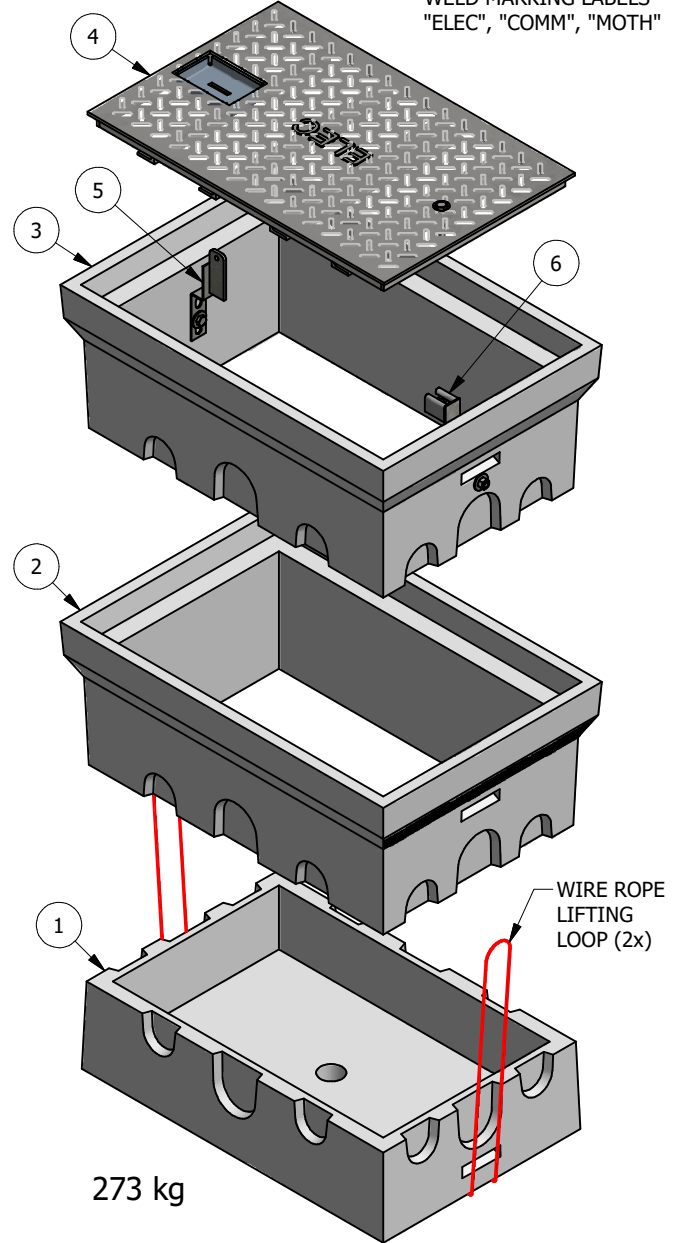
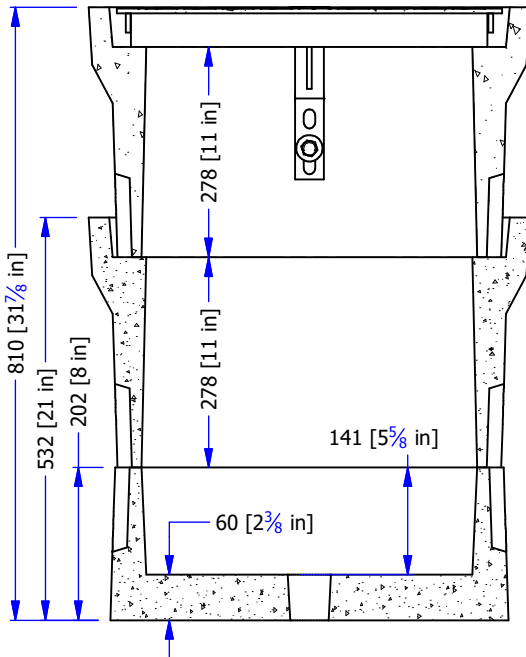
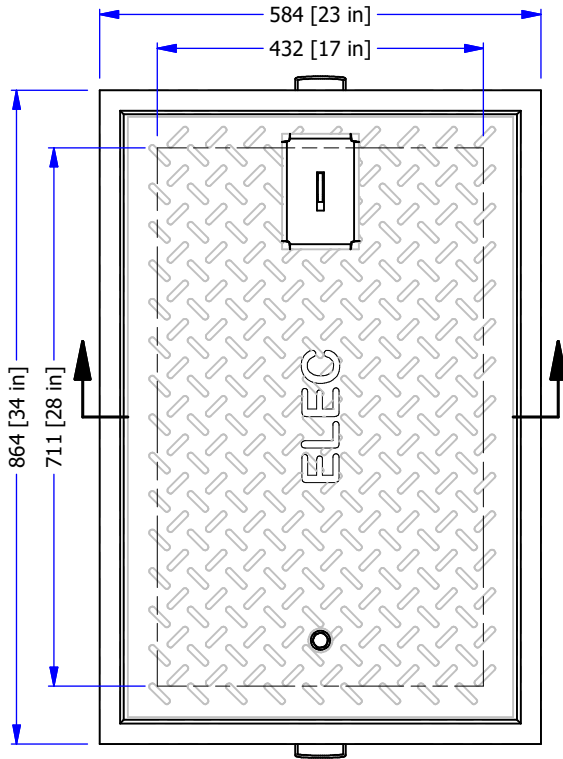


#	DESCRIPTION	CODE #	KG
1	266 SERVICE BOX BASE	14469	89
2	266 SERVICE BOX 325 [13"] RISER	14454	76
3	266 SERVICE BOX 325 [13"] RISER w/ BOLTDOWN HOLES	14457	76
4	266 GALV RECESSED PADLOCK CHECKERPLATE 'ELEC' LID	14499	31

#	DESCRIPTION	ITEM #	KG
5	PADLOCK DEVICE HARDWARE KIT	14598	0
6	BOLTDOWN DEVICE HARDWARE KIT	14595	0

LID OPTIONS:

- CAST IRON
- STEEL CHECKERPLATE GALV. OR PAINTED BLACK
- BOLTDOWN HOLES
- RECESSED PADLOCK
- Ø45 REMOTE READER HOLE
- WELD MARKING LABELS "ELEC", "COMM", "MOTH"



- PRODUCT MANUFACTURED IN ACCORDANCE WITH CSA A23.4
- DESIGNED FOR BOULEVARD (OFF ROAD) USE
- H20 STATIC LOADING
- STEEL PRODUCTS MANUFACTURED UNDER CSA W47.1 IN ACCORDANCE WITH CSA W59
- MINIMUM CONCRETE STRENGTH AT 28 DAYS: 35 MPA

WWW.FRASERWAYPREKAST.COM

(604) 534-2911



## #266 SERVICE BOX 2x 325mm RISERS w/ BASE & GALVANIZED STEEL RECESSED PADLOCK LID 'ELEC'

SIZE  
A

DRAWING #

266SB 2R B L PL 'ELEC'

REV

SHEET  
1/1