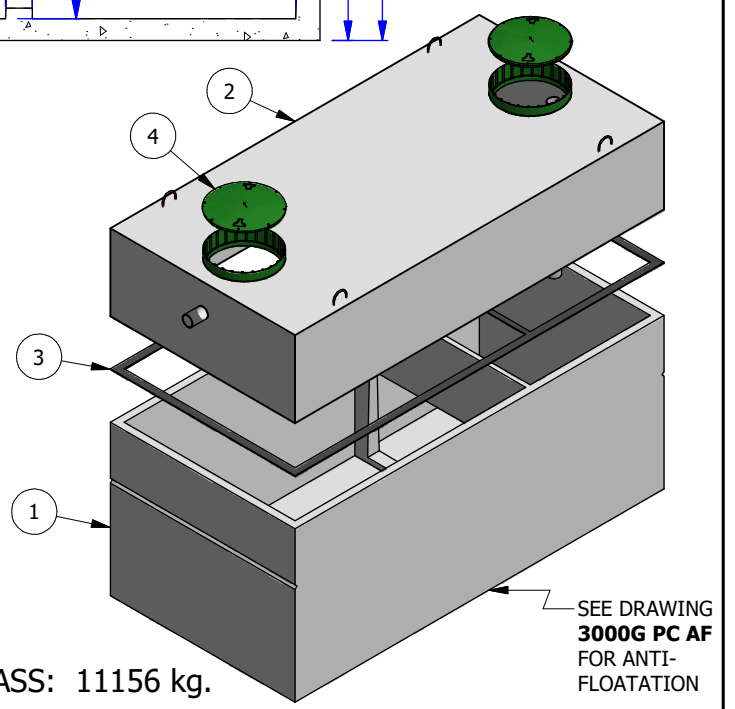


#	DESCRIPTION	ITEM #	KG
1	3000 IGAL PUMP CHAMBER BASE	14765	6576
2	3000 IGAL PUMP CHAMBER LID	14505	4580
3	CONSEAL CS-102	20405	
4	POLYLOK RISER COVER Ø24"	20545	
5	RIGID PVC PIPING 4" SCH40		

- MANUFACTURED IN ACCORDANCE WITH CSA B66
- MINIMUM CONCRETE STRENGTH AT 28 DAYS: 32 MPA
- MAX WATER CEMENT RATIO OF 0.45 & AIR CONTENT OF 5-8%
- WWM IN ACCORDANCE TO ASTM A1064
- GRADE 400 REBAR REINFORCEMENT
- HARD STEEL FINISH
- 38.46 IGal/in (68.83 l/cm)

WWW.FRASERWAYPREKAST.COM (604) 534-2911



3000 IGal [13700 l] PUMP CHAMBER

SIZE A	DRAWING # 41215	REV REV	SHEET 1/1
		3000G PC	