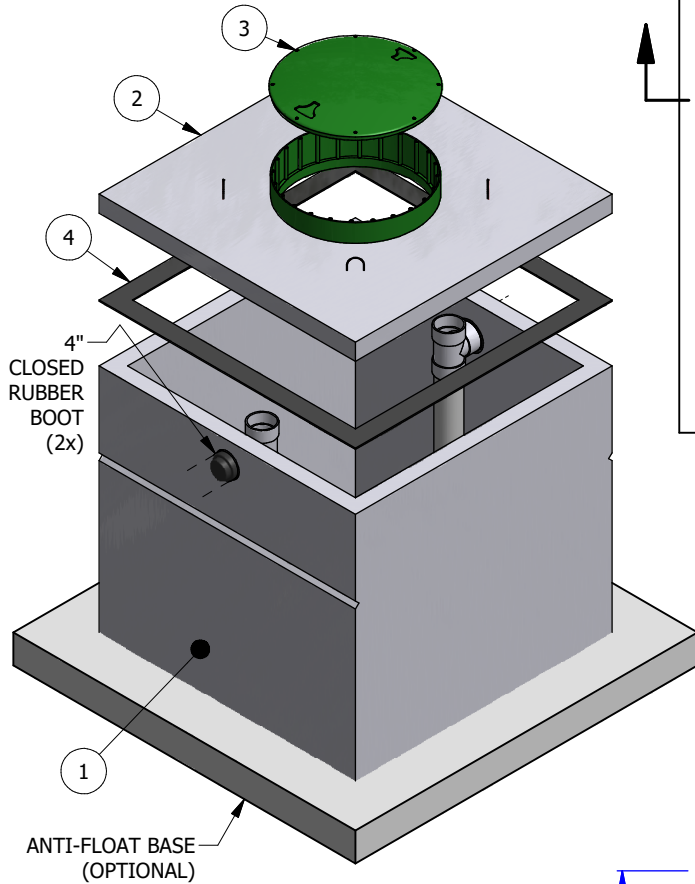
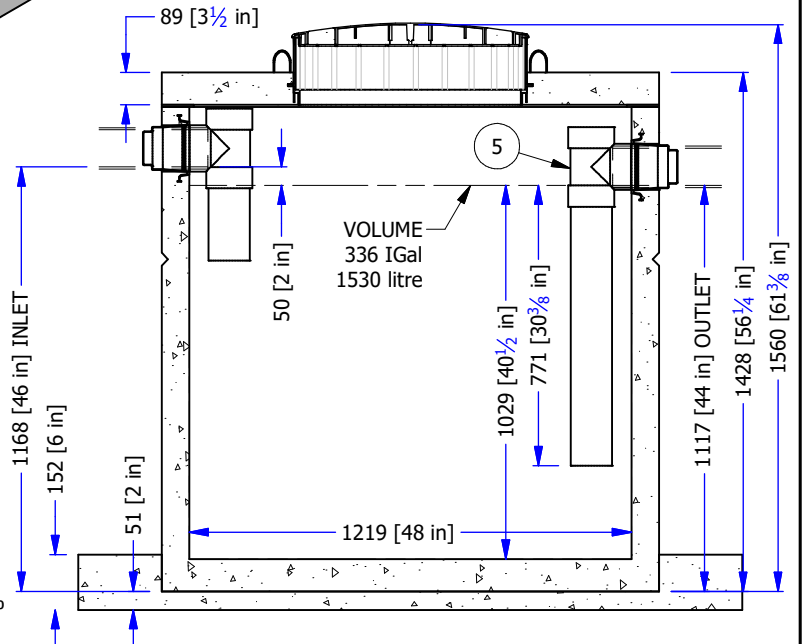
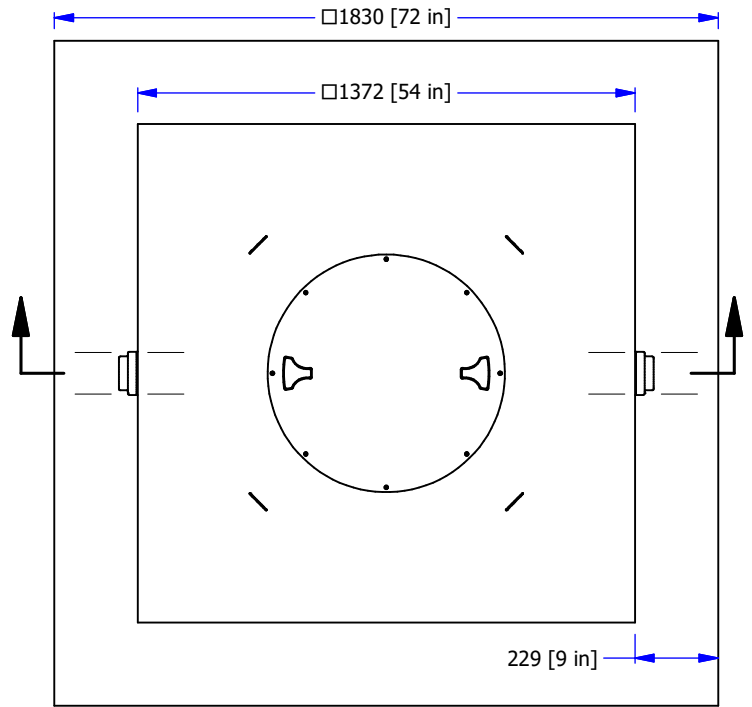


#	DESCRIPTION	ITEM #	KG
1	350 GAL PUMP CHAMBER BASE	14505	1700
2	350 GAL LID	14505	364
3	POLYLOK RISER COVER Ø24"	20545	
4	CONSEAL CS-102	20405	
5	PVC 4" TEE		
13	350 IGAL ANTI-FLOAT BASE	52110	733



MASS: 2064 kg.



- MANUFACTURED IN ACCORDANCE WITH CSA B66
- MINIMUM CONCRETE STRENGTH AT 28 DAYS: 32 MPA
- MAX WATER CEMENT RATIO OF 0.45 & AIR CONTENT OF 5-8%
- GRADE 400 REBAR REINFORCEMENT
- WWM IN ACCORDANCE TO ASTM A1064
- HARD STEEL FINISH
- 8.38 IGal/in (15.0 l/cm)

WWW.FRASERWAYPREKAST.COM

(604) 534-2911



**FRASERWAY PREKAST LTD**  
A BMGROUP COMPANY

## 350 IGal [1590 I] PUMP CHAMBER

SIZE A DRAWING #

41202

REV

SHEET

350G PC

1/1