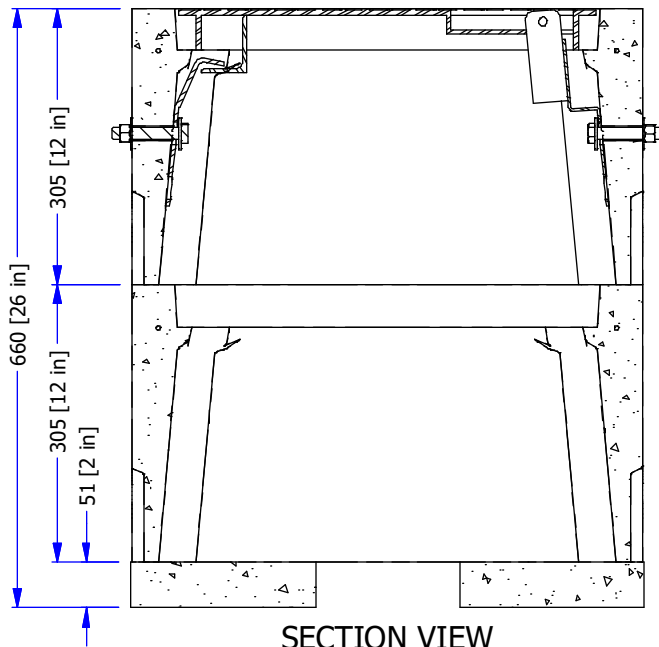
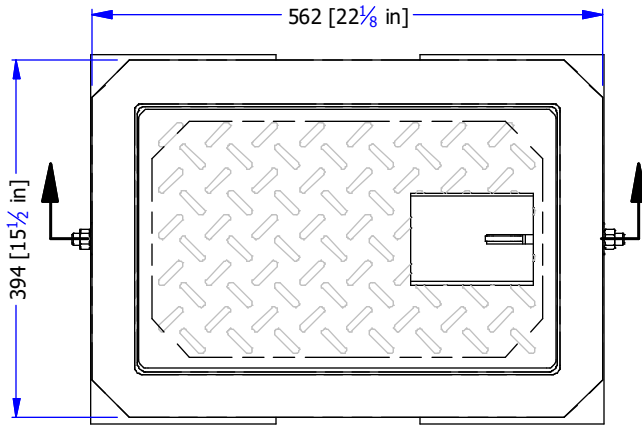
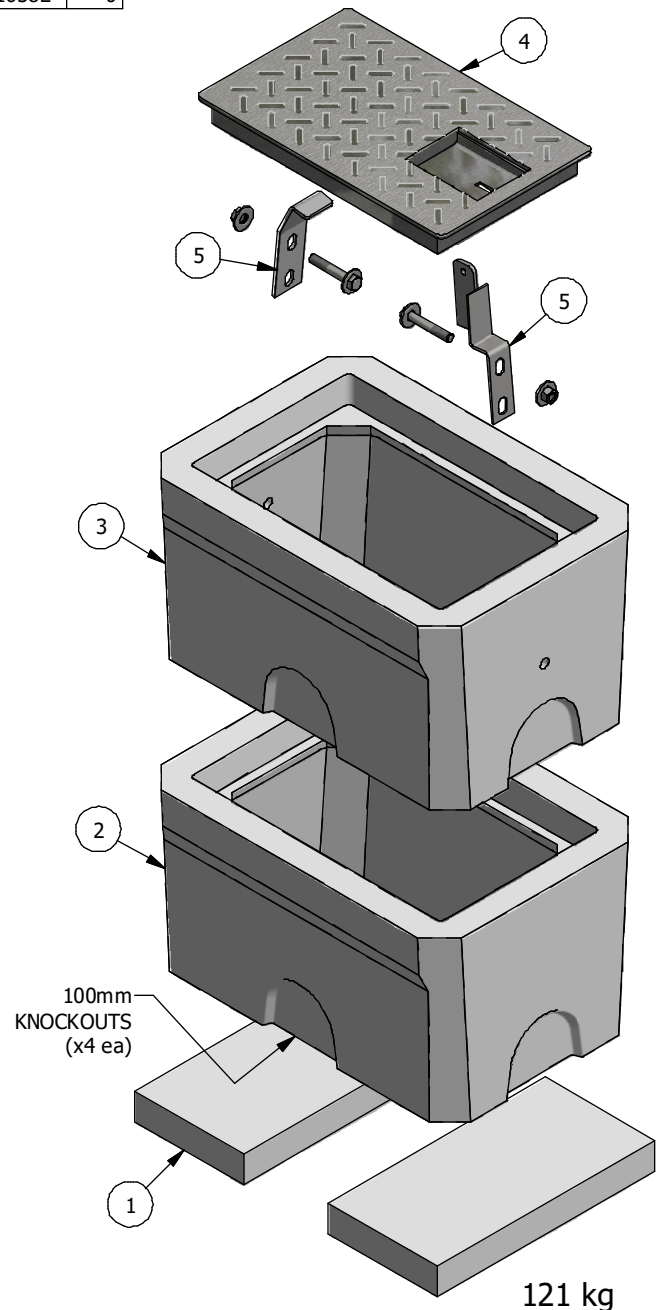


#	PART #	DESCRIPTION	CODE #	KG
1	37SB B	#37 SERVICE BOX BRICKS	16199	19
2	37SB R300	#37 SERVICE BOX RISER 300 [12"]	16190	46
3	37SB R300 2H	#37 SERVICE BOX RISER 300 [12"] w/ 2 HOLES	16193	46
4	37 PL	#37 SERVICE BOX LID GALV w/ PADLOCK	16226	9
5	PL DB	BOLTDOWN PADLOCK DEVICE HARDWARE KIT	16382	0



SECTION VIEW



- PRODUCT MANUFACTURED IN ACCORDANCE WITH CSA A23.4
- DESIGNED FOR BOULEVARD (OFF ROAD) USE
- H2O STATIC LOADING
- STEEL PRODUCTS MANUFACTURED UNDER CSA W47.1 IN ACCORDANCE WITH CSA W59
- MINIMUM CONCRETE STRENGTH AT 28 DAYS: 35 MPA

WWW.FRASERWAYPREKAST.COM

(604) 534-2911



TITLE

#37 SERVICE BOX COMPLETE  
2x 300mm RISERS & BASE BRICKS  
w/ GALV PADLOCK LID KIT

SIZE A SHOP DRAWING

37SB 2R B L PL | A | REV SHEET 1/1