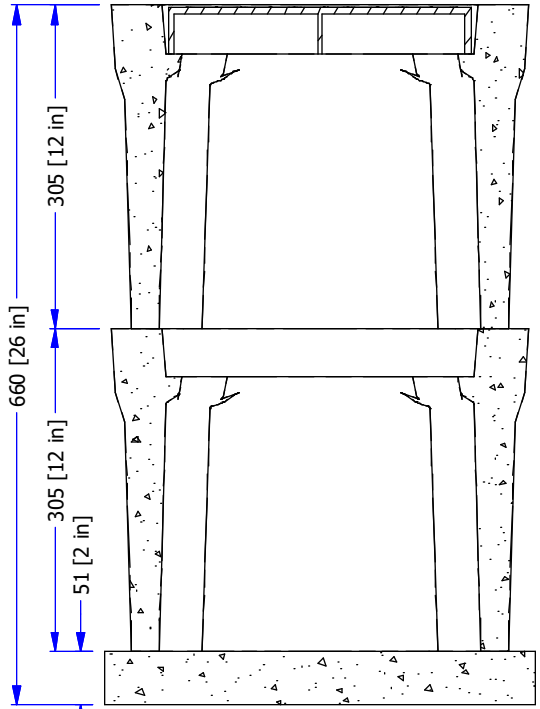
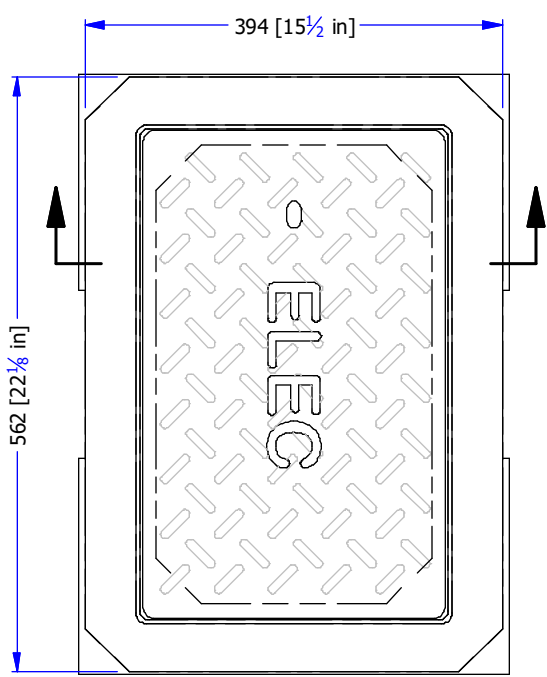
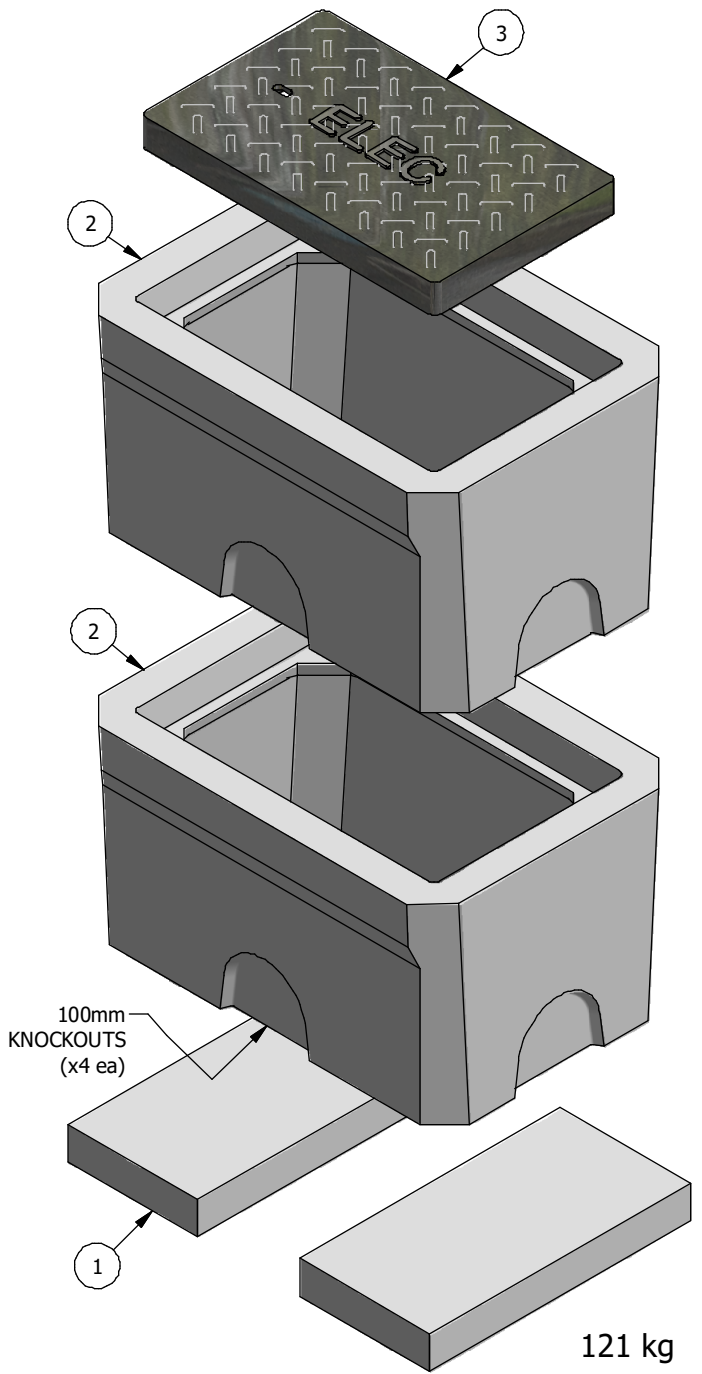


#	PART #	DESCRIPTION	CODE #	KG
1	37SB B	#37 SERVICE BOX BRICKS	16199	19
2	37SB R300	#37 SERVICE BOX RISER 300 [12"]	16190	46
3	37SB L SG 'ELEC'	#37 SERVICE BOX STEEL GALV. CHECKER PLATE LID 'ELEC'	16229	10



SECTION VIEW



- PRODUCT MANUFACTURED IN ACCORDANCE WITH CSA A23.4
- DESIGNED FOR BOULEVARD (OFF ROAD) USE
- H20 STATIC LOADING
- STEEL PRODUCTS MANUFACTURED UNDER CSA W47.1 IN ACCORDANCE WITH CSA W59
- MINIMUM CONCRETE STRENGTH AT 28 DAYS: 35 MPA

WWW.FRASERWAYPREKAST.COM (604) 534-2911



TITLE
#37 SERVICE BOX COMPLETE
2x 300mm RISERS & BASE BRICKS
w/ GALV STEEL 'ELEC' LID

SIZE A	SHOP DRAWING	REV	SHEET 1/1
------------------	--------------	-----	---------------------

37SB 2R B L 'ELEC'