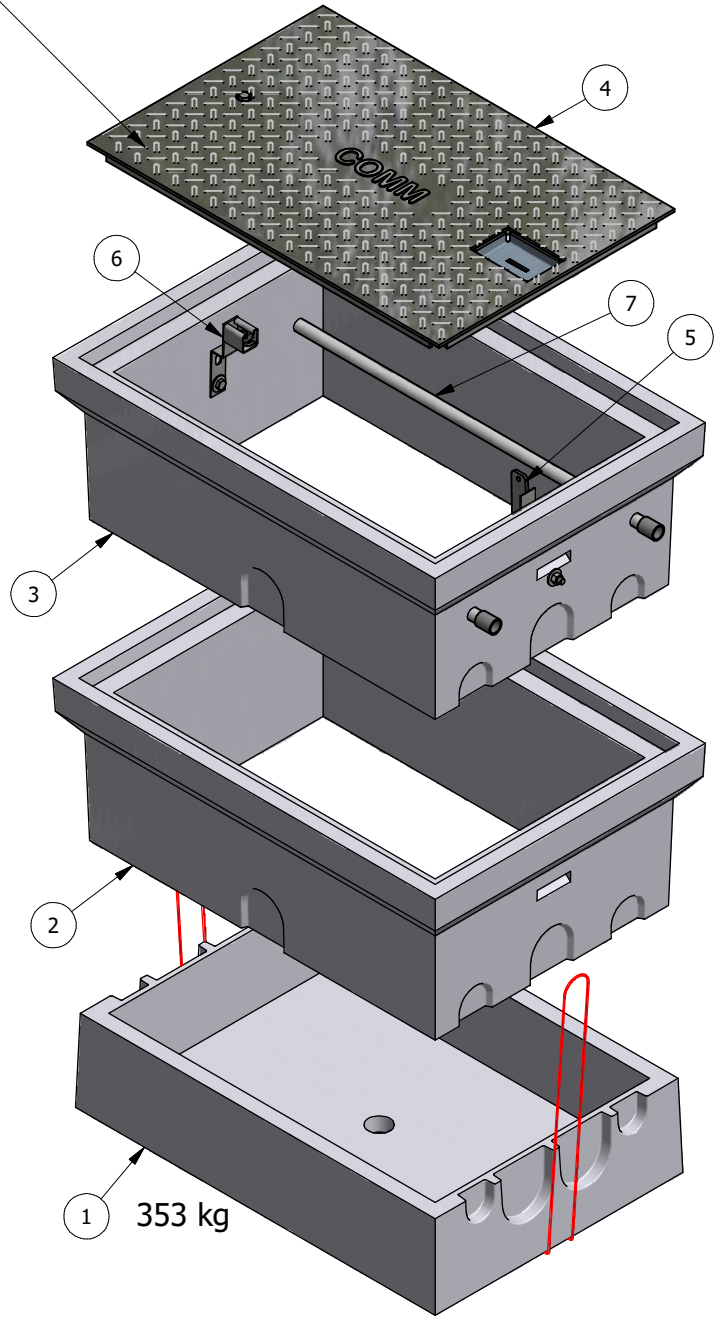
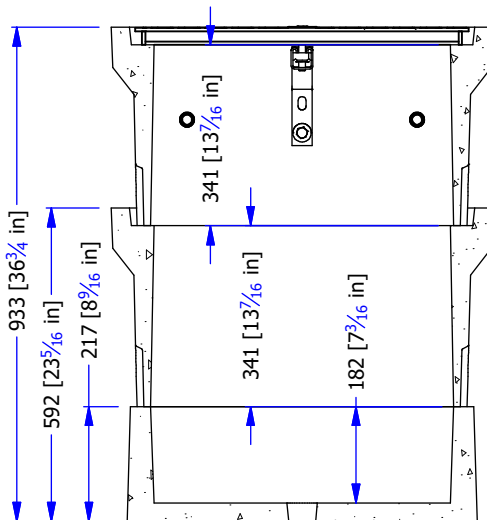
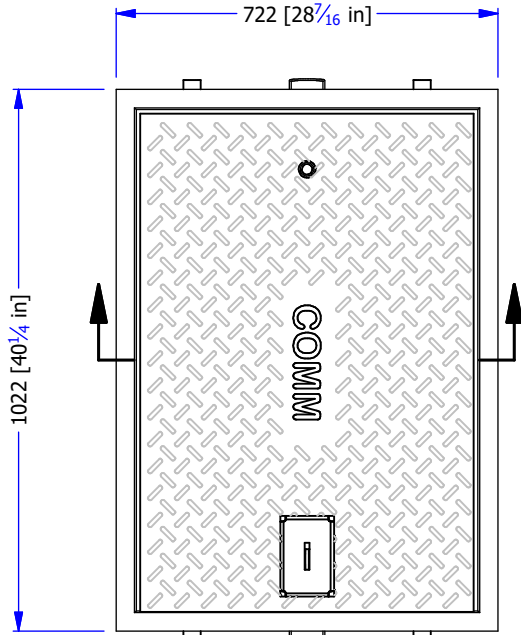


#	DESCRIPTION	CODE #	KG
1	5686 SERVICE BOX BASE	14541	104
2	5686 SERVICE BOX RISER 350 [14"]	14526	105
3	5686 SERVICE BOX RISER 350 [14"] w/ BOLT HOLES & PIPE HOLES	14532	105
4	5686 GALV STEEL CHECKERPLATE w/ PADLOCK RECESS 'COMM'	14553	38
5	PADLOCK DEVICE HARDWARE KIT	14598	0
6	BOLTDOWN DEVICE HARDWARE KIT	14595	0
7	RPVC PIPE 3/4" SUPPORTS KIT	14565	0

LID OPTIONS:
 - CAST IRON OR
 - STEEL CHECKERPLATE LID GALVANIZED OR PAINTED BLACK
 WITH BOLTDOWN HOLES OR PADLOCK RECESS
 OPTIONAL: "REMOTE READER" Ø45 HOLE
 AVAILABLE WITH: WELD MARKING LABELS
 (e.g. "ELEC", "COMM", "MOTH")



- PRODUCT MANUFACTURED IN ACCORDANCE WITH CSA A23.4
 - DESIGNED FOR BOULEVARD (OFF-ROAD) USE - H20 STATIC LOADING
 - STEEL PRODUCTS MANUFACTURED UNDER CSA W47.1 IN ACCORDANCE W/ CSA W59
 - SITE INSTALLATION, BACKFILLING, AND SUITABILITY FOR USE
 IS THE RESPONSIBILITY OF OTHERS
 - MINIMUM CONCRETE STRENGTH AT 28 DAYS: 35 MPA

WWW.FRASERWAYPREKAST.COM

(604) 534-2911



5686 SERVICE BOX COMPLETE 2x 350mm RISERS & BASE w/ PADLOCK 'COMM' LID & PIPE SUPPORTS

SIZE
A

DRAWING #

5686SB 2R B P PL 'COMM'

14592

REV

SHEET

1/1