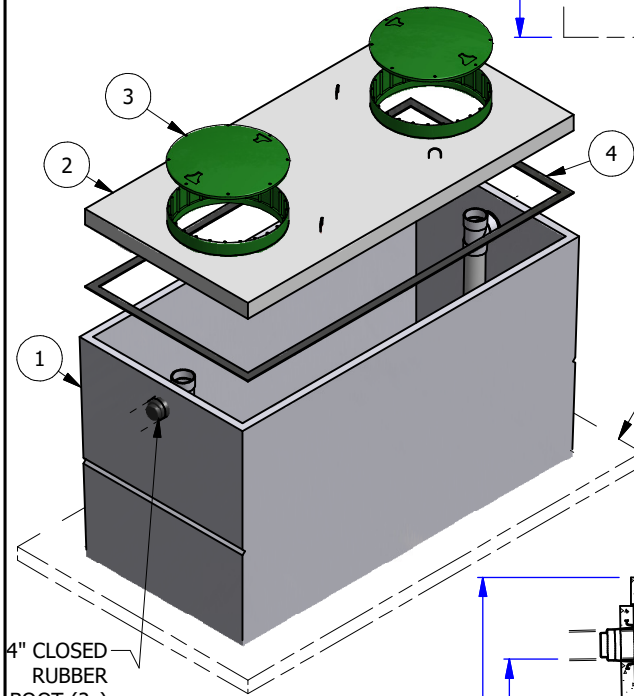
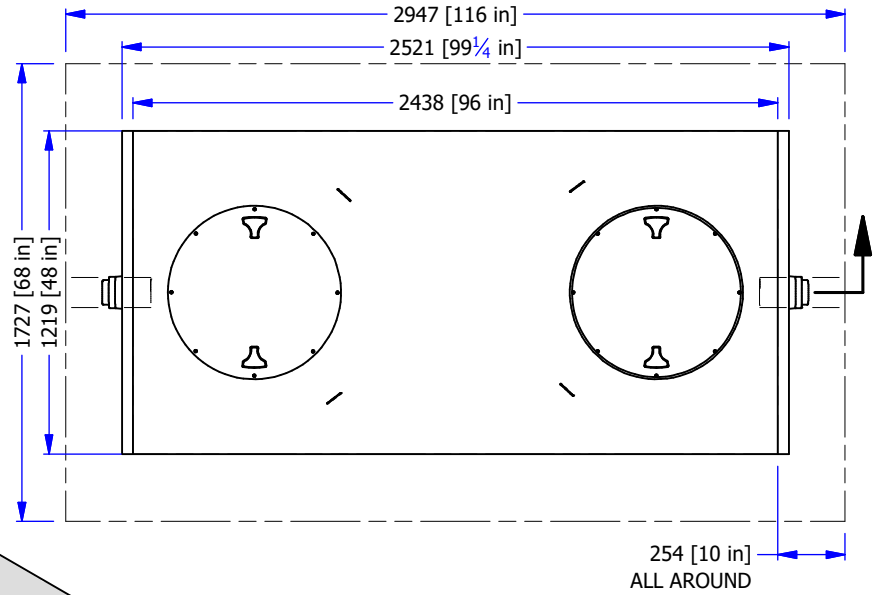
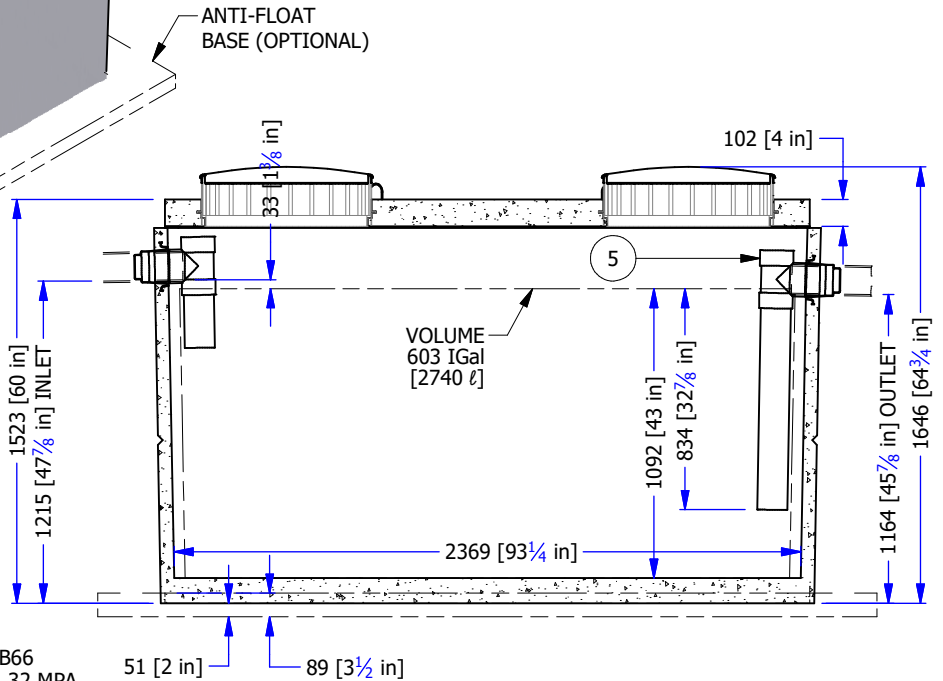


#	DESCRIPTION	ITEM #	KG
1	600 GAL PUMP CHAMBER BASE	14505	2154
2	600 GAL LID	14505	612
3	POLYLOK RISER COVER Ø24"	20545	
4	CONSEAL CS-102	20405	
5	RIGID PVC PIPING 4" SCH40		



MASS: 2766 kg.



NOTES

- MANUFACTURED IN ACCORDANCE WITH CSA B66
- MINIMUM CONCRETE STRENGTH AT 28 DAYS: 32 MPA
- MAX WATER CEMENT RATIO OF 0.45 & AIR CONTENT OF 5-8%
- GRADE 400 REBAR REINFORCEMENT
- WWM IN ACCORDANCE TO ASTM A1064
- HARD STEEL FINISH
- 14.12 IGal/in (25.26 l/cm)

WWW.FRASERWAYPREKAST.COM

(604) 534-2911



## 600 IGal [2730 l] PUMP CHAMBER

SIZE  
A

DRAWING #

41203

REV

SHEET

600G PC

1/1