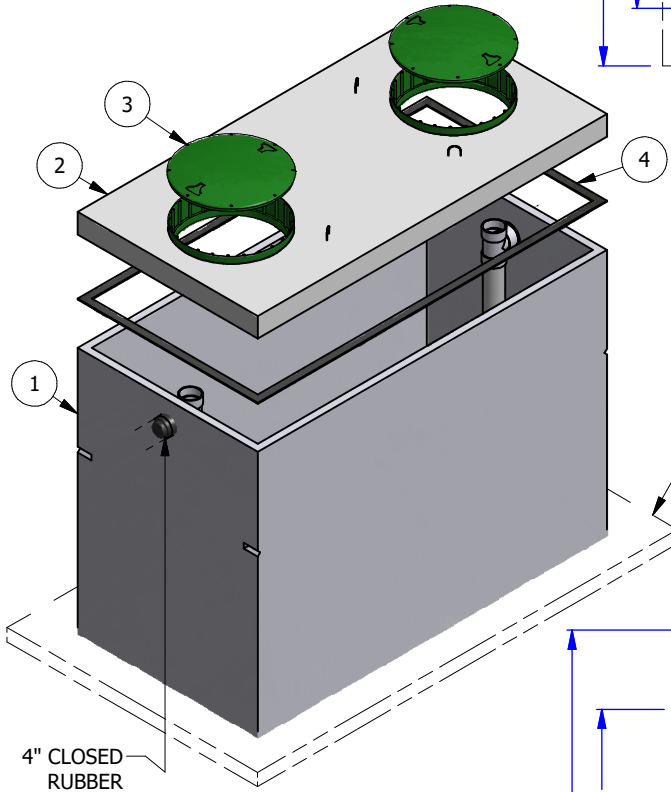
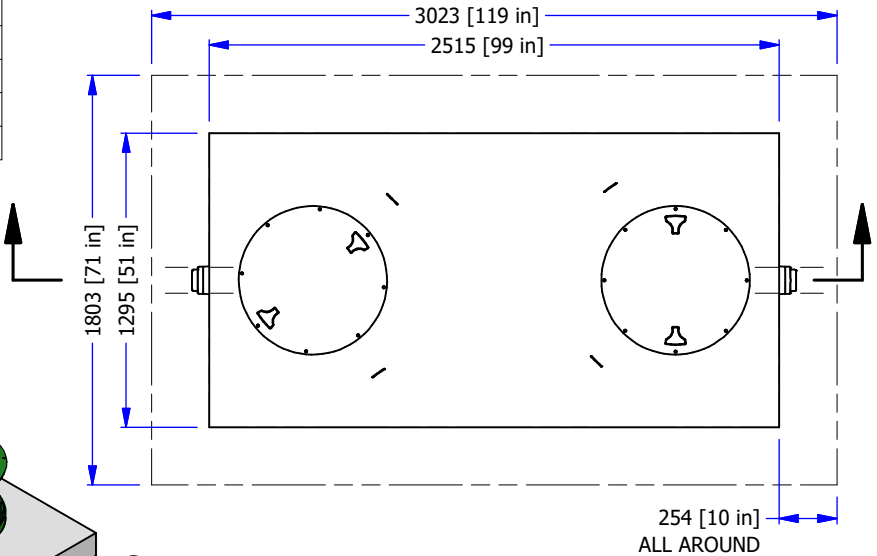
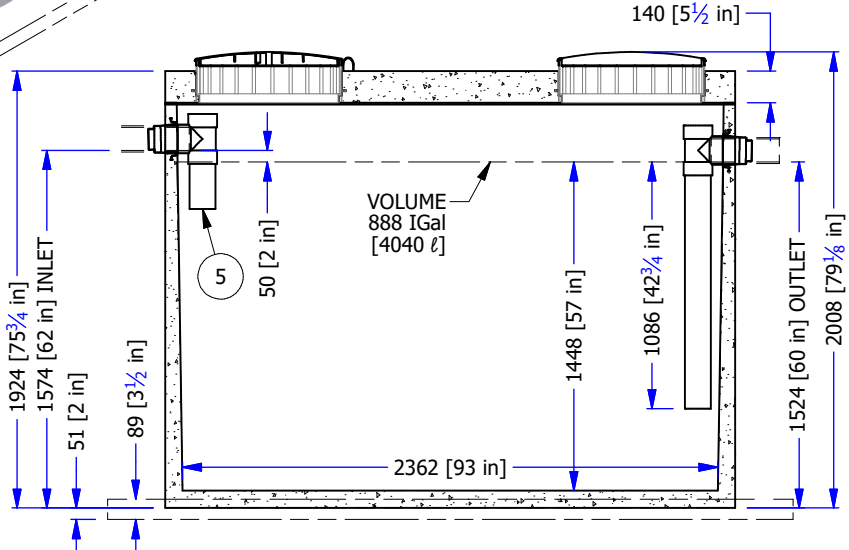


#	DESCRIPTION	ITEM #	KG
1	900 GAL PUMP CHAMBER BASE	14505	2396
2	900 GAL LID	14505	846
3	POLYLOK RISER COVER Ø24"	20545	1
4	CONSEAL CS-102	20405	2
5	RIGID PVC PIPE 4" s40		1



MASS: 3765 kg.



- MANUFACTURED IN ACCORDANCE WITH CSA B66
- MINIMUM CONCRETE STRENGTH AT 28 DAYS: 32 MPA
- MAX WATER CEMENT RATIO OF 0.45 & AIR CONTENT OF 5-8%
- GRADE 400 REBAR REINFORCEMENT
- WWM IN ACCORDANCE TO ASTM A1064
- HARD STEEL FINISH
- 15.58 IGal/in (27.88 l/cm)

WWW.FRASERWAYPREKAST.COM (604) 534-2911



## 900 IGal [4090 I] PUMP CHAMBER

SIZE <b>A</b>	DRAWING # 41207	REV 1	SHEET 1/1
------------------	--------------------	----------	--------------

**900G PC**