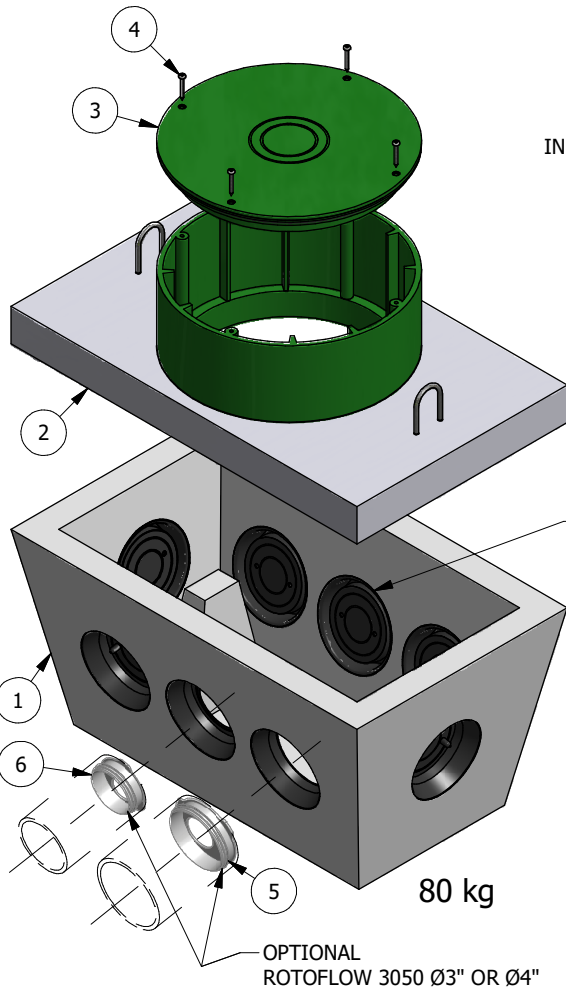
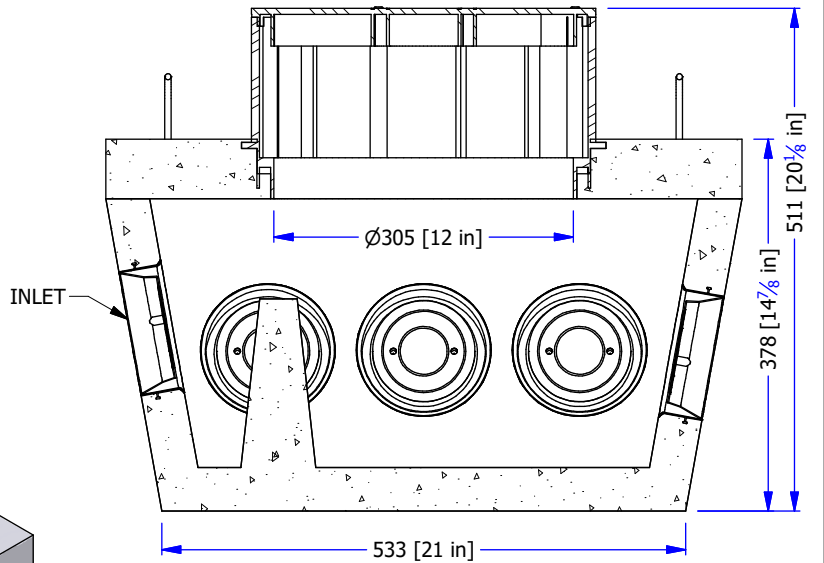
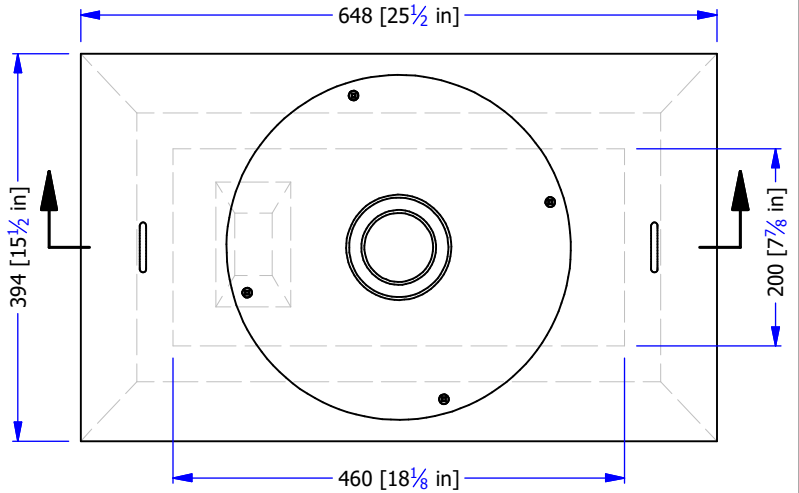


#	DESCRIPTION	ITEM #	KG
1	DISTRIBUTION BOX 7 BASE	14785	56
2	DISTRIBUTION BOX 7 LID	14790	24
3	POLYLOK Ø12" COVER	20510	0
4	PAN HEAD SCREW #10 SQUARE HD		0
5	ROTOFLOW 3050-4"		0
6	ROTOFLOW 3050-3"		0



NOTES

- PRODUCT MANUFACTURED IN ACCORDANCE WITH CSA A23.4
- MINIMUM CONCRETE STRENGTH AT 28 DAYS: 32 MPA
- GRADE 400 REBAR REINFORCEMENT
- WWM IN ACCORDANCE TO ASTM A1064
- HARD STEEL FINISH

WWW.FRASERWAYPRECAST.COM

(604) 534-2911



FRASERWAY PRECAST LTD
A BMGROUP COMPANY

DISTRIBUTION BOX 7 HOLE

SIZE
A

DRAWING #

14785
DB 7

REV

SHEET
1/1