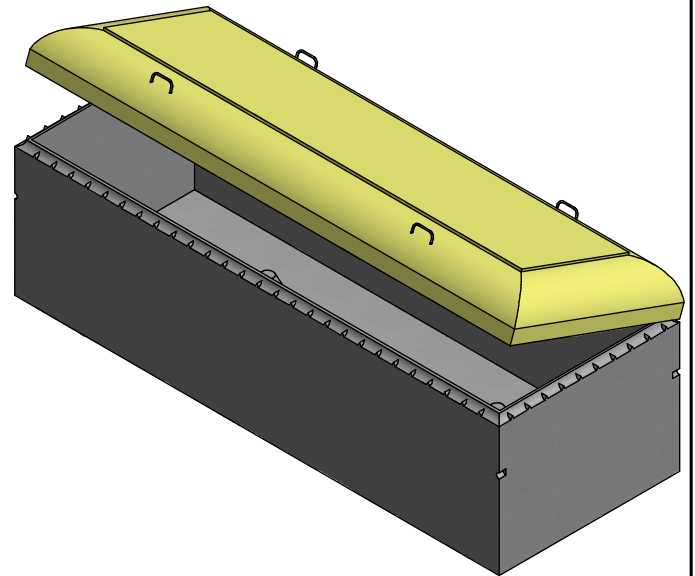
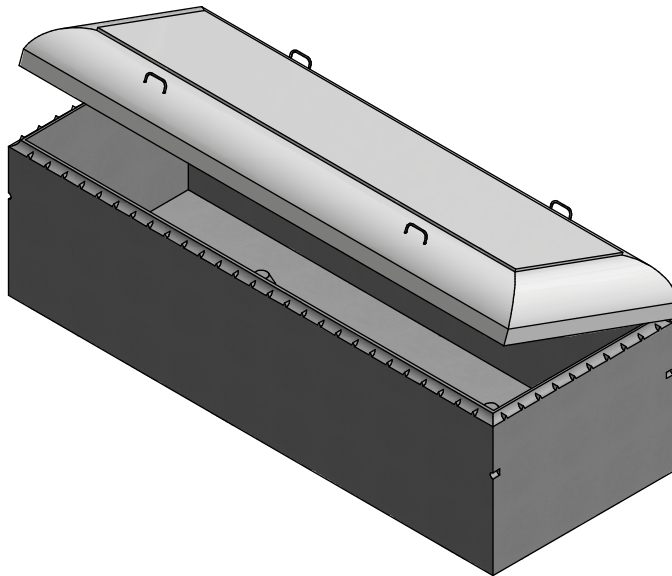
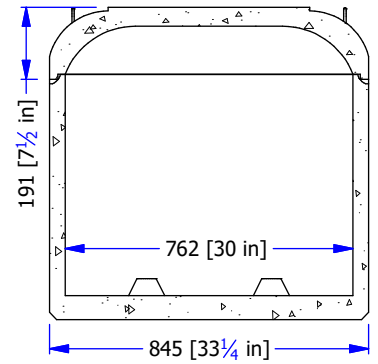
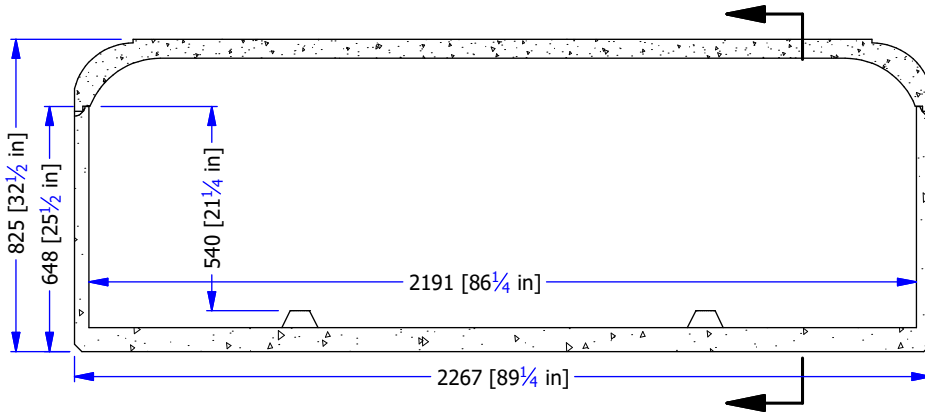
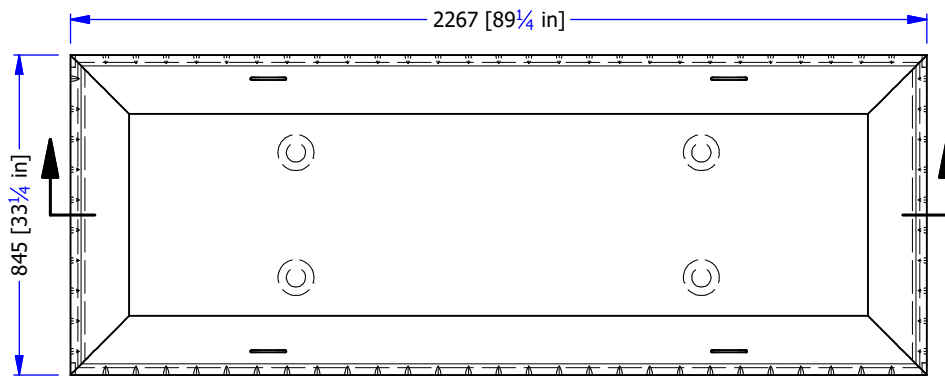


DESCRIPTION	ITEM #
MONARCH VAULT WHITE	10455
MONARCH VAULT YELLOW	10460



BOTTOM 597 kg [1316 lbs]  
 LID 356 kg [784 lbs]  
 TOTAL 952 kg [2100 lbs]

WWW.FRASERWAYPRECAST.COM

(604) 534-2911

NOTES

- PRODUCT MANUFACTURED IN ACCORDANCE WITH CSA A23.4
- MINIMUM CONCRETE STRENGTH AT 28 DAYS: 32 MPA
- MAX WATER CEMENT RATIO OF 0.45 & AIR CONTENT OF 5-8%
- HARD STEEL FINISH



MONARCH VAULT  
 WHITE # 10455      YELLOW # 10460

SIZE A      DRAWING #

REV MrV      SHEET 1/1