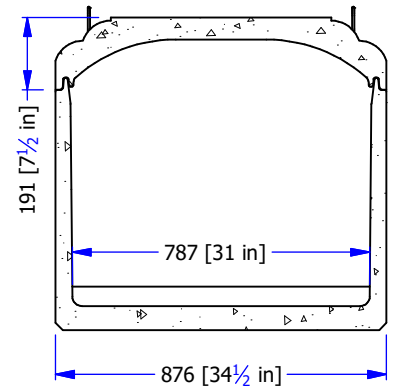
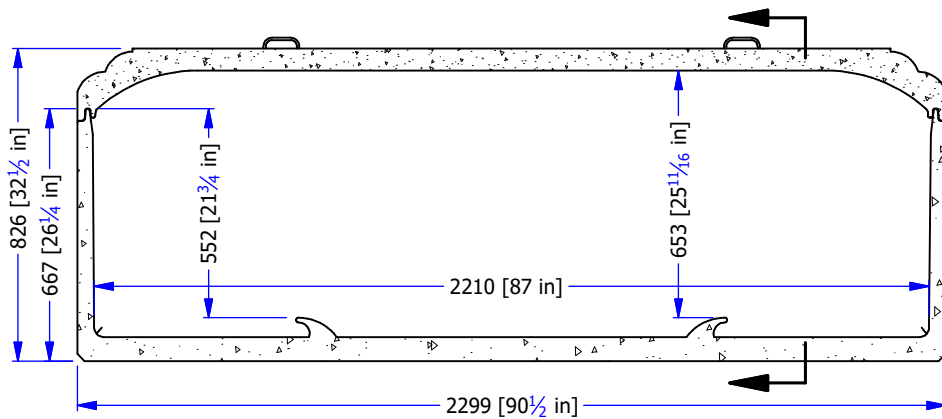
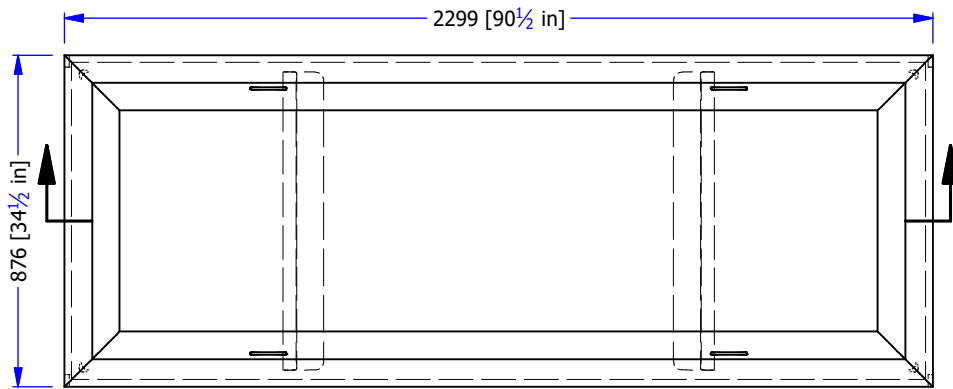


DESCRIPTION	ITEM #
MONTICELLO VAULT GOLD	10788
MONTICELLO VAULT SILVER	10790



NOTES

- PRODUCT MANUFACTURED IN ACCORDANCE WITH CSA A23.4
- MINIMUM CONCRETE STRENGTH AT 28 DAYS: 32 MPA
- MAX WATER CEMENT RATIO OF 0.45 & AIR CONTENT OF 5-8%
- HARD STEEL FINISH

BOTTOM 722 kg [1592 lbs]
 LID 327 kg [720 lbs]
 TOTAL 1049 kg [2312 lbs]

WWW.FRASERWAYPREKAST.COM

(604) 534-2911



FRASERWAY PREKAST LTD
 A BMGROUP COMPANY

MONTICELLO VAULT
GOLD # 10788, SILVER #10790

SIZE
A

DRAWING #

10788 / 10790

REV

SHEET

MtV

1/1