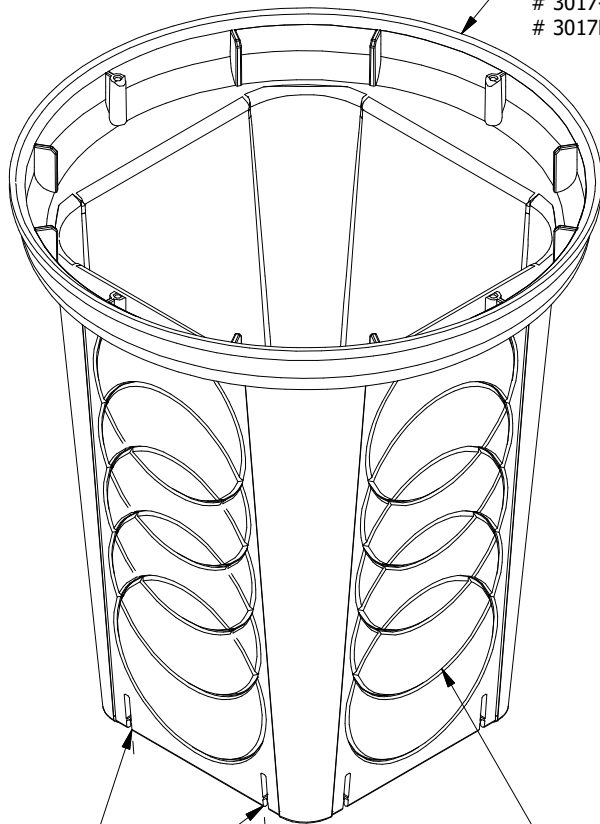
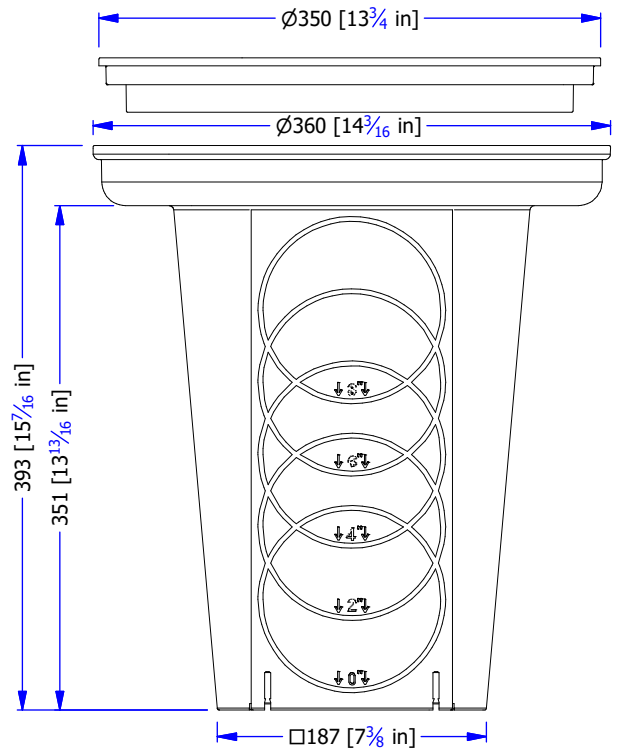


Ø360 [14³/₁₆ in]

BOX LID OPTIONS:
 # 3017-C COVER
 # 3017-G GRATE
 # 3017R RISER



HOLES TO BE CUTOUT
 AS NEEDED TO ACCEPT
 POLYLOK # 3001 D-BOX
 SEAL (TYP 20 PLACES)



MATL: POLYPROPYLENE
 COLOUR: BLACK
 CAPACITY: 4 IGAL [18 ℓ]

WWW.FRASERWAYPREKAST.COM

(604) 534-2911



FRASERWAY PREKAST LTD
 A BMGROUP COMPANY

**POLYLOK Ø12" DISTRIBUTION BOX
 WITH COVER**

SIZE
A

DRAWING #

14805
DB 3017-12 Ø12

REV

SHEET
1/1