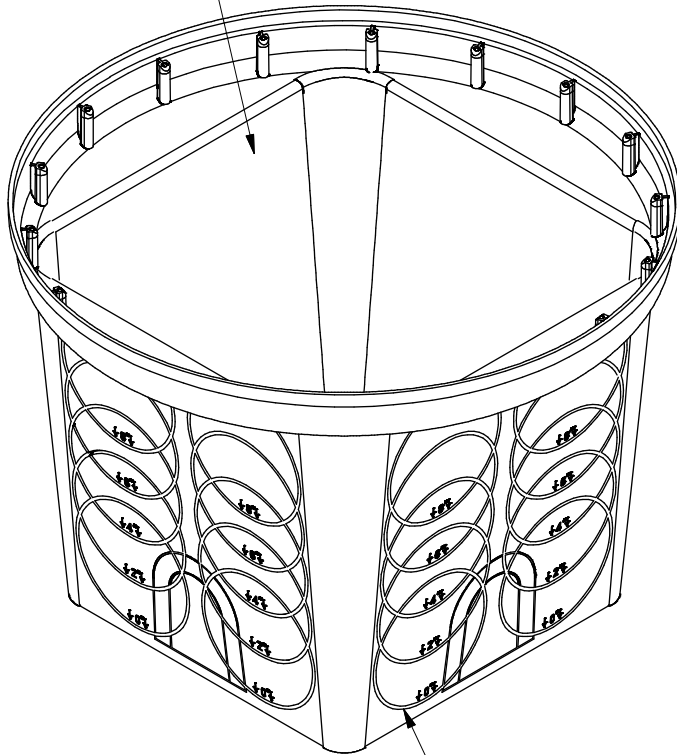
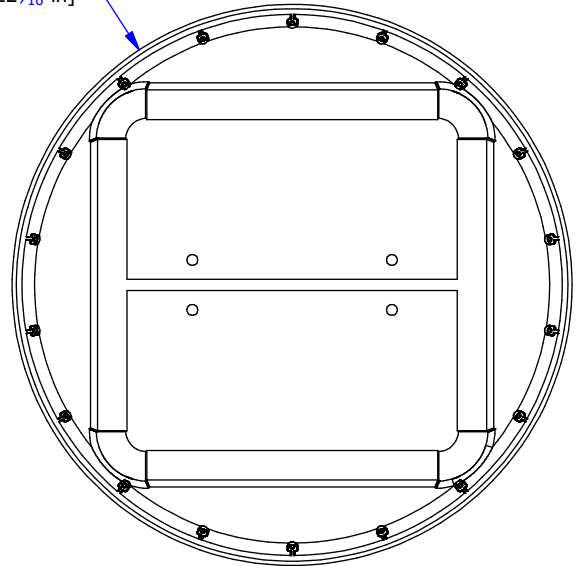


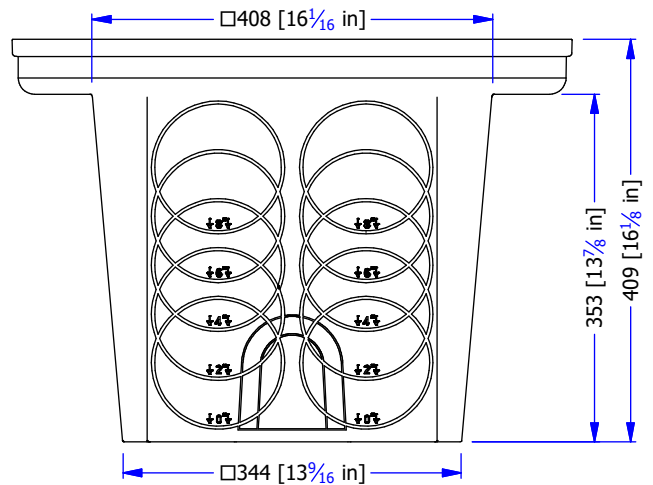
- BOX ACCEPTS:  
 # 3009C LIGHT COVER  
 # 3017-C20 HEAVY COVER  
 # 3017-G20 GRATE  
 # 3009 6" RISER  
 # 3009-R12 12" RISER



Ø570 [22<sup>7</sup>/<sub>16</sub> in]



HOLES TO BE CUTOUT AS  
 NEEDED TO ACCEPT POLYLOK  
 PART # 3001 D-BOX SEAL  
 TYP 40 PLACES



MATL: POLYPROPYLENE  
 COLOUR: BLACK  
 CAPACITY: 15 IGAL [68 l]

WWW.FRASERWAYPREKAST.COM

(604) 534-2911



**FRASERWAY PREKAST LTD**  
 A BMGROUP COMPANY

**POLYLOK Ø20" DISTRIBUTION BOX 8 HOLE**

SIZE A DRAWING #

14805

REV

SHEET

DB 3017-20 Ø20" 8H

1/1