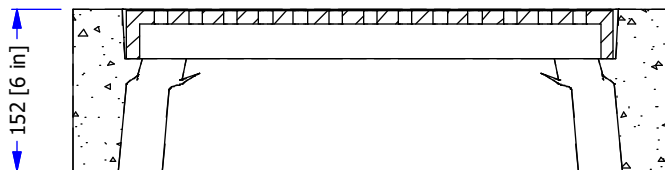
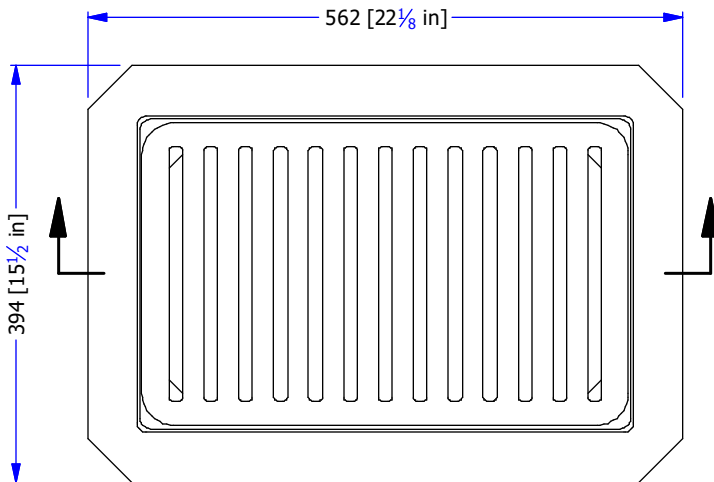
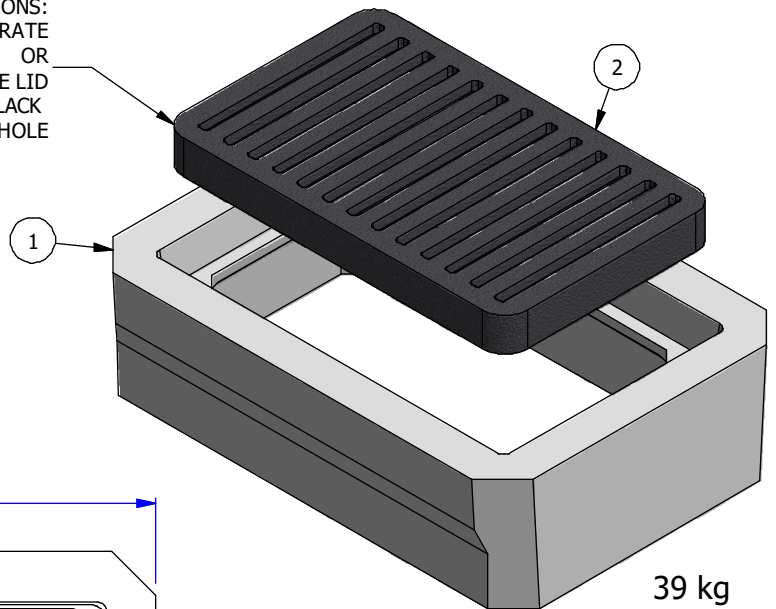


#	PART #	DESCRIPTION	CODE	KG
1	37SB R150	#37 SERVICE BOX RISER 150 [6"]	16196	27
2	37SB L CI G	#37 SERVICE BOX LID CAST IRON GRATE	16201	12

LID OPTIONS:  
 - CAST IRON SOLID OR GRATE  
 OR  
 - STEEL CHECKERPLATE LID  
 EITHER GALVANIZED OR PAINTED BLACK  
 OPTIONAL "REMOTE READER" Ø45 HOLE



- PRODUCT MANUFACTURED IN ACCORDANCE WITH CSA A23.4
- DESIGNED FOR BOULEVARD (OFF ROAD) USE
- H20 STATIC LOADING
- STEEL PRODUCTS MANUFACTURED UNDER CSA W47.1 IN ACCORDANCE WITH CSA W59
- MINIMUM CONCRETE STRENGTH AT 28 DAYS: 35 MPA

WWW.FRASERWAYPREKAST.COM

(604) 534-2911



TITLE

#37 SERVICE BOX 6" RISER  
WITH CAST IRON GRATE

SIZE  
A

SHOP DRAWING

37SB R150 L CI G

REV

SHEET  
1/1