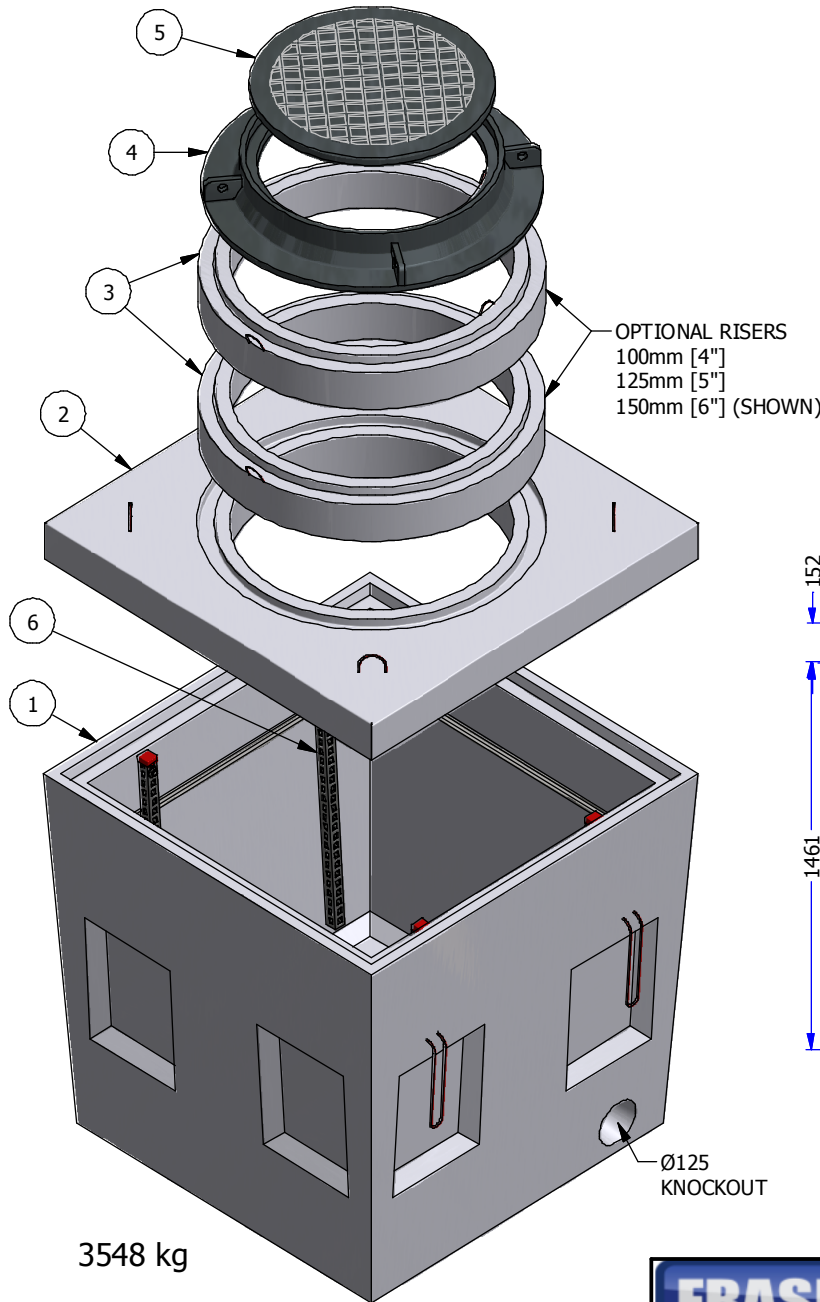
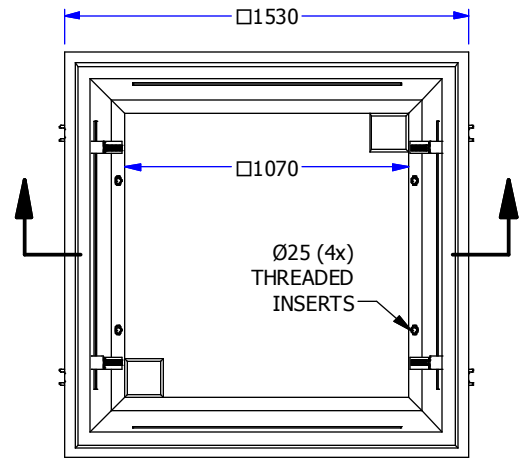


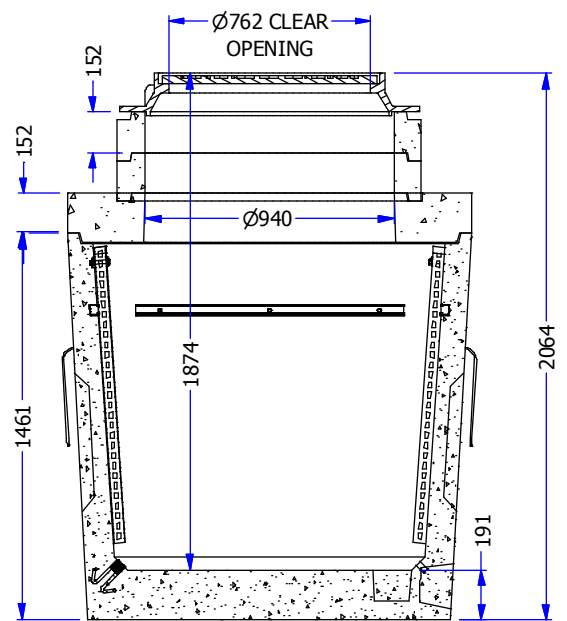
#	PART #	DESCRIPTION	CODE #	KG
1	1.5M EV KO	1.5 ELEC VAULT w/ KNOCKOUTS	16592	2353
2	1.5M MHL	1.5M MANHOLE LID	16604	693
3	VRR Ø915x6	6" VAULT RISER RING	16619	122
4	TR42B FR	CAST IRON FRAME	20332	145
5	TR42	CAST IRON COVER	20331	100
6	1.5M CRK	CABLE RACK KIT	16580	13



3548 kg



COVERS REMOVED FOR CLARITY



<b>FRASERWAY PRECAST LTD</b>			
WWW.FRASERWAYPRECAST.COM		604-534-2911	
<b>1.5m ELECTRICAL VAULT WITH MANHOLE LID COMPLETE ASSEMBLY</b>			
SIZE	DRAWING #	REV	SHEET
A	1.5M EV MH C		1/1

-PRODUCT MANUFACTURED IN ACCORDANCE WITH CSA A23.4  
-STEEL PRODUCTS MANUFACTURED UNDER CSA W47.1  
IN ACCORDANCE WITH CSA W59  
-MIN CONCRETE STRENGTH AT 28 DAYS: 35 MPA  
-GRADE 400 REBAR REINFORCEMENT  
-DESIGNED FOR BCL625 H20 LIVE LOADING  
-CAST IRON FRAME & COVER: BCL625 H20 LIVE LOAD RATED