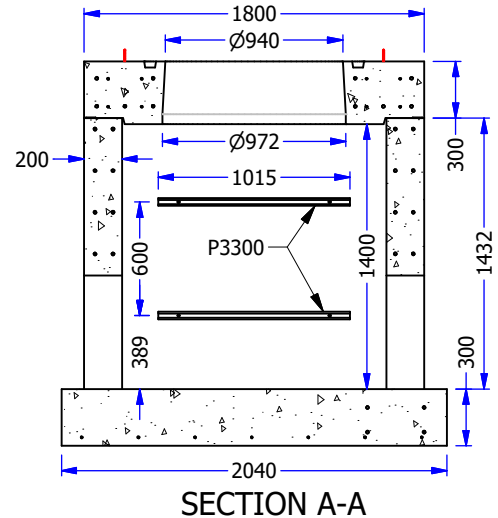
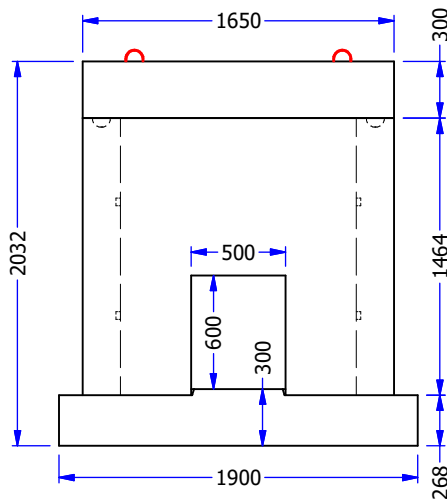
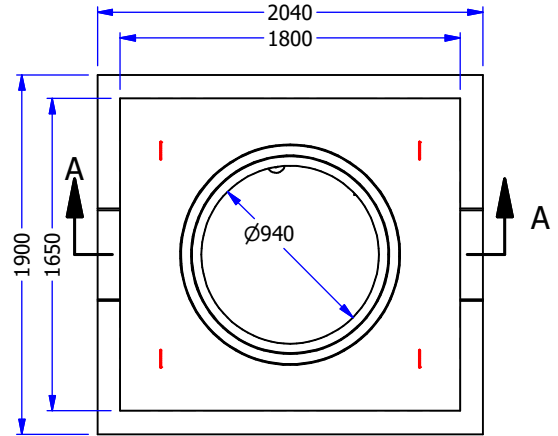
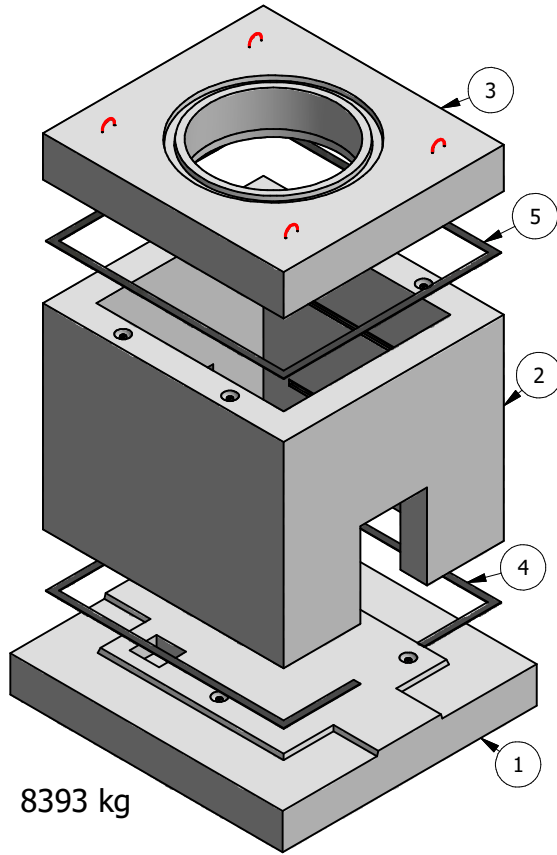


#	QTY	PART #	DESCRIPTION	kg
1	1	BCPR B	CUSTOM BASE SLAB 1800x1650x200	2616
2	1	BCPR W	CUSTOM VAULT WALL SECTION 1800x1650x1400	4027
3	1	BCPR MH	CUSTOM SLAB LID w/ MANHOLE ACCESS	1748
4	1	CS-102 BCPR B	CONSEAL CS-102 (14' / ROLL)	1
5	1	CS-102 BCPR	CONSEAL CS-102 (14' / ROLL)	1



DESIGN CRITERIA  
 DESIGNED IN ACCORDANCE WITH CSA A23.3-14  
 & AREMA MANUAL FOR RAILWAY ENGINEERING 2022  
 COOPER E90 LIVE LOAD 400 Kilo Newtons MAX AXLE

-MANUFACTURED IN ACCORDANCE WITH CSA A23.4  
 -MIN CONCRETE STRENGTH AT 28 DAYS: 35 MPA  
 -GRADE 400 REBAR REINFORCEMENT  
 -DESIGNED FOR COOPER E90 LIVE LOADING  
 -STEEL PRODUCTS MANUFACTURED UNDER CSA  
 W47.1 IN ACCORDANCE WITH CSA W59

WWW.FRASERWAYPREKAST.COM

(604) 534-2911



## BELL CANADIAN PACIFIC RAIL PROJECT

SIZE DRAWING #

A

REV SHEET

D

1/1

BCPR GA