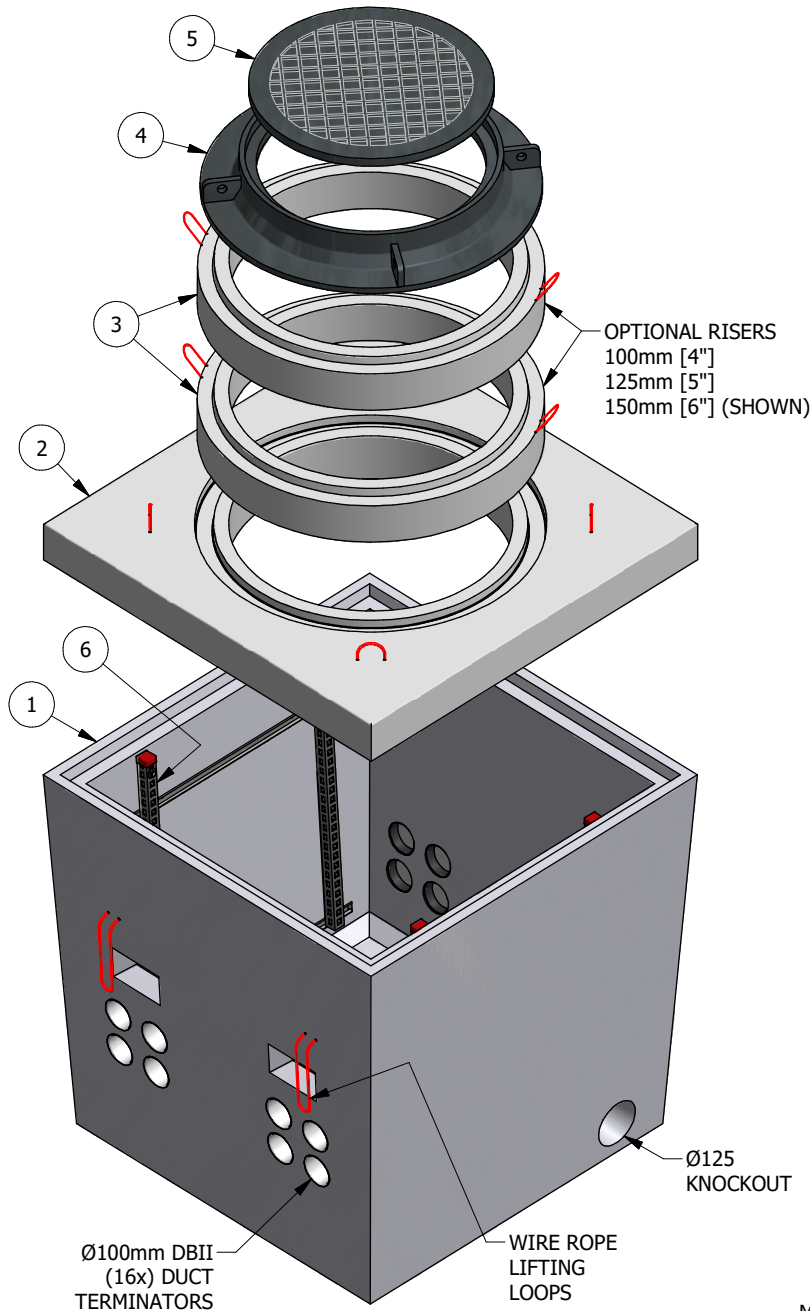
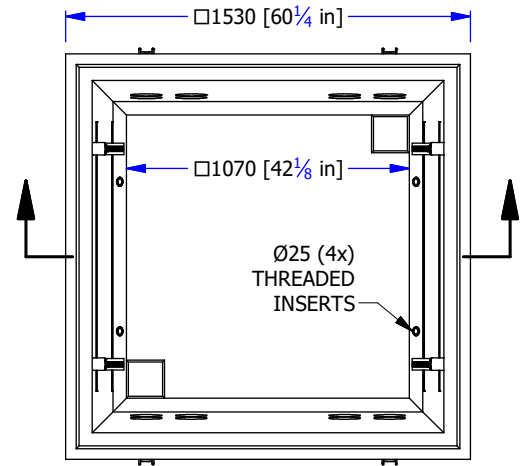


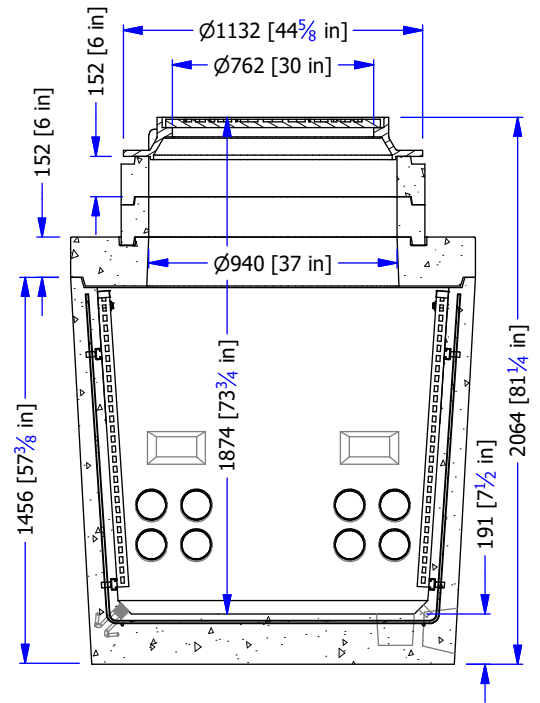
#	PART #	DESCRIPTION	CODE #	KG
1	1.5M CV DT	1.5M COMM VAULT w/ DUCT TERMINATORS	14163	2455
2	1.5M MH	1.5M MANHOLE LID	14175	684
3	VRR Ø940 R150	Ø940 [37"] VAULT RISER RING x150 [6"]	14106	122
4	TR42 FRAME	CAST IRON FRAME TR42	17311	145
5	TR42 COVER	CAST IRON COVER	17329	100
6	1.5M CRK	CABLE RACK KIT	14196	13



3639 kg



COVERS REMOVED FOR CLARITY



- MANUFACTURED IN ACCORDANCE WITH CSA A23.4
- STEEL PRODUCTS MANUFACTURED UNDER CSA W47.1 IN ACCORDANCE WITH CSA W59
- MIN CONCRETE STRENGTH AT 28 DAYS: 35 MPA
- GRADE 400 REBAR REINFORCEMENT
- DESIGNED FOR BCL625 H20 LIVE LOADING
- CAST IRON FRAME & COVER: BCL625 H20 LIVE LOAD RATED

WWW.FRASERWAYPREKAST.COM

(604) 534-2911



1.5m COMM VAULT DUCT TERMINATORS CABLE RACK MANHOLE LID RISER RINGS CAST IRON FRAME & COVER

SIZE
A

DRAWING #

1.5M CV DT MH RR CI CR

REV

SHEET

1/1