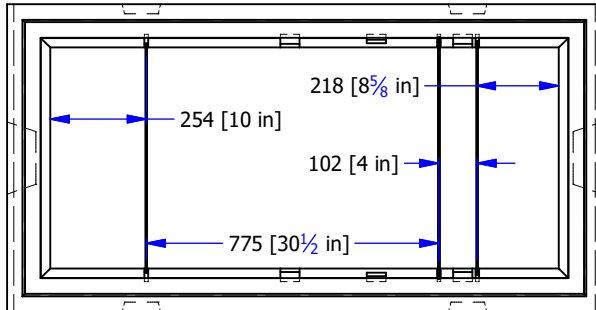
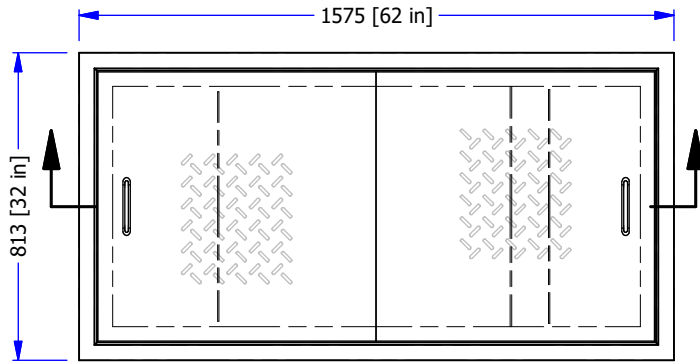
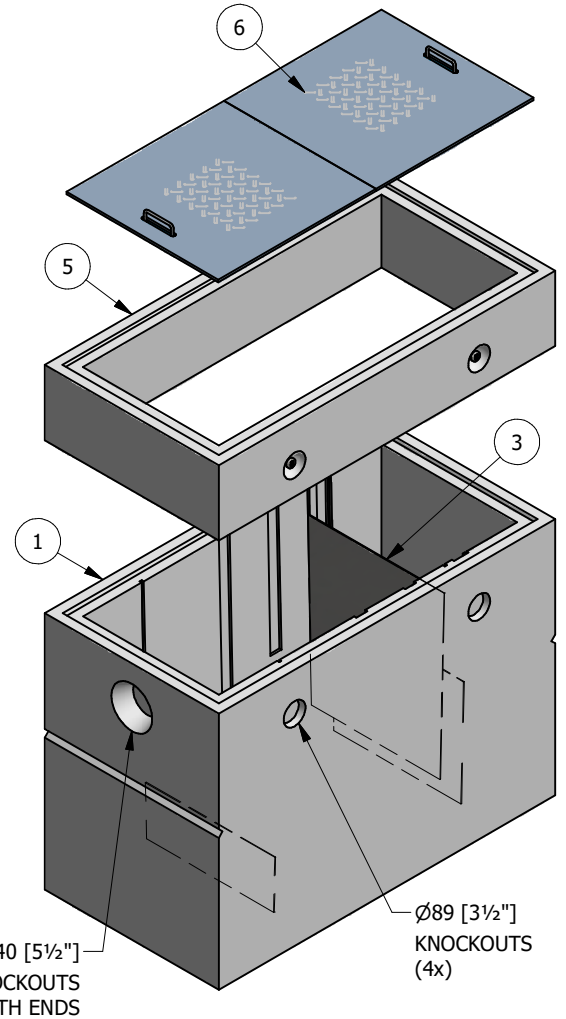
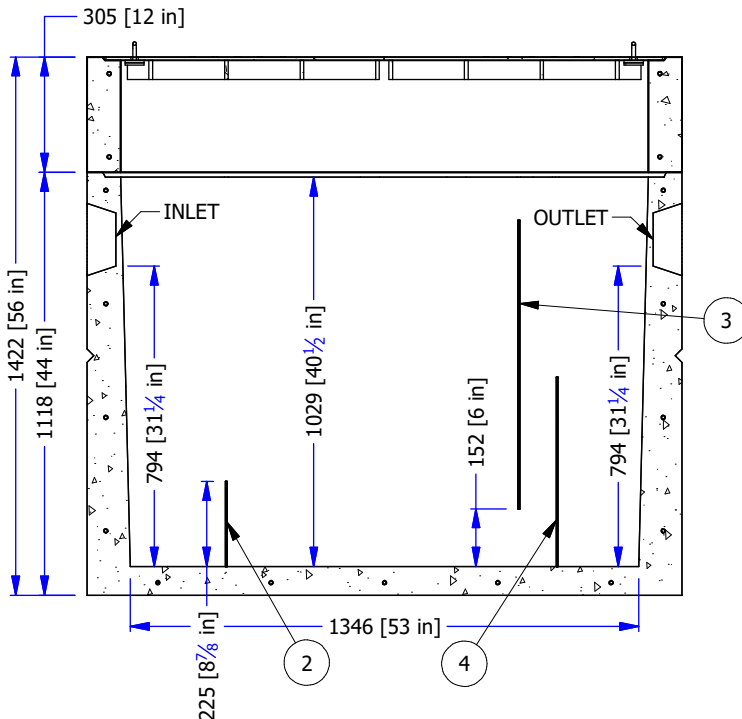


#	DESCRIPTION	ITEM #	KG
1	OI 110G BASE	16401	1290
2	BAFFLE PLATE 10ga #1		4
3	BAFFLE PLATE 10ga #2		13
4	BAFFLE PLATE 10ga #3		8
5	OI 110G RISER 300 [12"]		279
6	OI 110G LID TYPE 3	16415	107



WITHOUT LID



1701 kg

- PRODUCT MANUFACTURED IN ACCORDANCE WITH CSA 23.4
- CONCRETE STRENGTH @ 28 DAYS: 35 MPA MIN.
- H 20 LOAD RATED
- REBAR: GRADE 400
- GASKET: CONSEAL CS-120
- MAXIMUM FLOW RATE: 50 LPM
- RETENTION TIME: 10 MINUTES
- TEMP OPERATING RANGE: 40 - 80°F / 4-27°C.
- BOUYANCY: 1440 kg
- SPECIFIC GRAVITY: OIL - 0.71 - 0.92
FRESH WATER - 1.00 - 1.03

WWW.FRASERWAYPREKAST.COM

(604) 534-2911



OIL INTERCEPTOR 110 IGAL (500 I) STYLE III

SIZE A DRAWING #

REV SHEET 1/1

OI 110G III