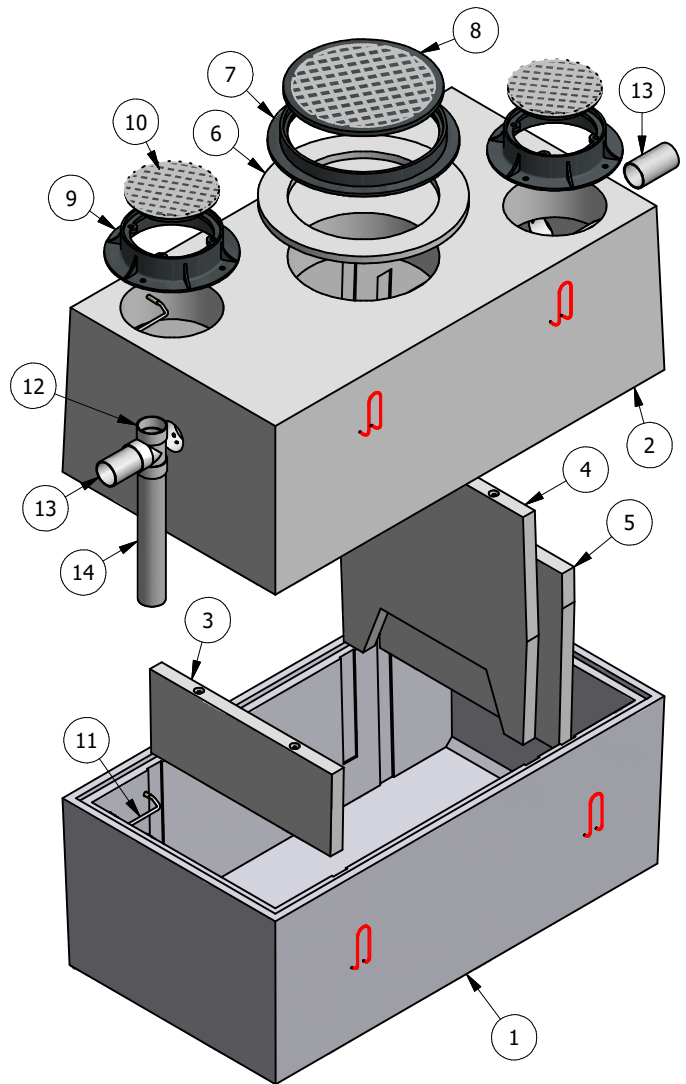


#	QTY	DESCRIPTION	ITEM #	KG
1	1	3152 OI BASE	14277	4825
2	1	3152 OI COVER	14280	5957
3	1	3152 OI BAFFLE #1		224
4	1	3152 OI BAFFLE #2		522
5	1	3152 OI BAFFLE #3		493
6	1	GRADE RING ø900 [36"]	16756	73
7	1	CAST IRON FRAME TR36	17302	98
8	1	CAST IRON COVER TR36	17305	134
9	2	CAST IRON FRAME TR18B	17209	72
10	2	CAST IRON COVER TR18	17218	51
11	14	LANDCON #350 RUNG	16792	1
12	1	PVC 6" TEE		2
13	2	PVC 6" PIPE s40		2
14	1	PVC 6" PIPE s40		5



18227 kg

- MANUFACTURED IN ACCORDANCE WITH CSA 23.4
- CONCRETE STRENGTH @ 28 DAYS: 35 MPA MIN.
- DESIGNED FOR ROADWAY USE: BCL625 LIVE LOADING
- GRADE 400 REBAR
- GASKET: CONSEAL CS-102
- USE IN NON-SULPHATE SOIL ONLY
- MAXIMUM FLOW RATE: 730 LPM
- RETENTION TIME: 10 MINUTES
- BOUYANCY: 14,350 kg
- TEMP OPERATING RANGE: 40 - 80°F / 4-27°C.
- SPECIFIC GRAVITY: OIL - 0.71 - 0.92
- FRESH WATER - 1.00 - 1.03

WWW.FRASERWAYPREKAST.COM

(604) 534-2911



FRASERWAY PREKAST LTD
A BMGROUP COMPANY

3152 OIL INTERCEPTOR 1600 IGAL (7300 I)

SIZE **A** DRAWING #

REV SHEET
OI 3152 1600G 1/1