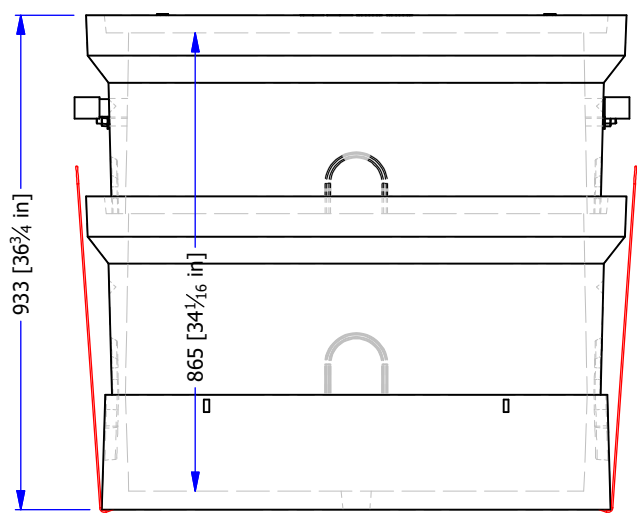
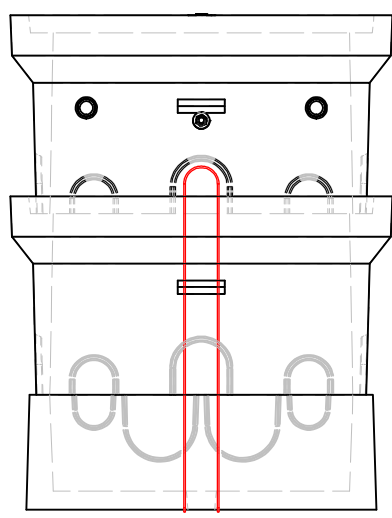
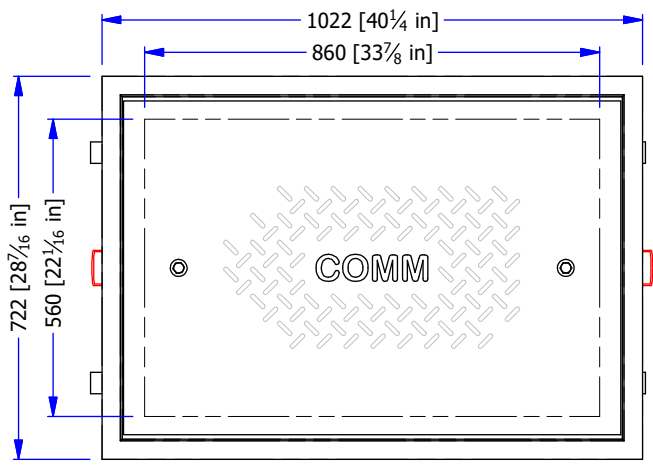


#	DESCRIPTION	CODE #	KG
1	5686 SERVICE BOX BASE	14541	104
2	5686 SERVICE BOX 350 [14"] RISER	14526	105
3	5686 SERVICE BOX 350 [14"] RISER w/ BOLTDOWN & PVC SUPPORT HOLES	14532	105
4	5686 GALVANIZED STEEL CHECKERPLATE LID "COMM"	14559	38
12	BOLT DOWN DEVICE BRACKET	14595	0
13	RIGID PVC 1" PIPE	12218	0



- MANUFACTURED IN ACCORDANCE WITH CSA A23.4
- DESIGNED FOR BOULEVARD (OFF-ROAD) USE - H20 STATIC LOADING
- STEEL PRODUCTS MANUFACTURED UNDER CSA W47.1 IN ACCORDANCE WITH CSA W59
- SITE INSTALLATION, BACKFILLING, AND SUITABILITY FOR USE IS THE RESPONSIBILITY OF OTHERS
- MINIMUM CONCRETE STRENGTH AT 28 DAYS: 35 MPA

WWW.FRASERWAYPREKAST.COM (604) 534-2911



**5686 SERVICE BOX ASSEMBLY w/
 BOLTDOWN, PVC SUPPORTS & 'COMM' LID**

SIZE	DRAWING #	14586	REV	SHEET
A			E	1/1
		5686SB 2R B P BD 'COMM'		